

OVERZONE SERIES INSTRUCTIONS

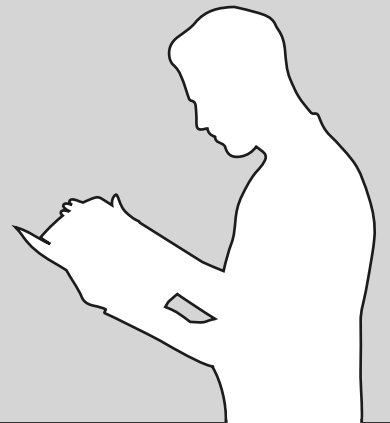
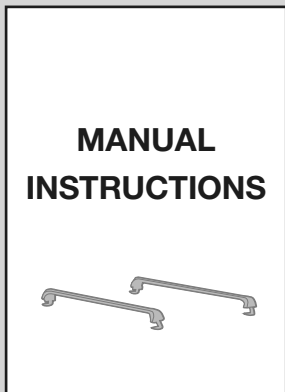
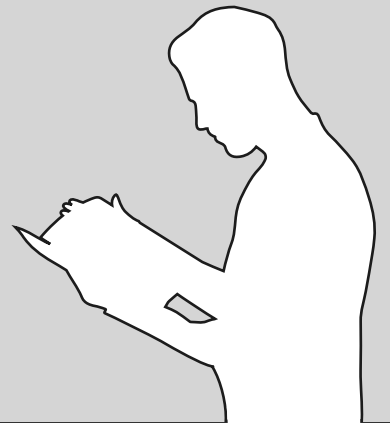
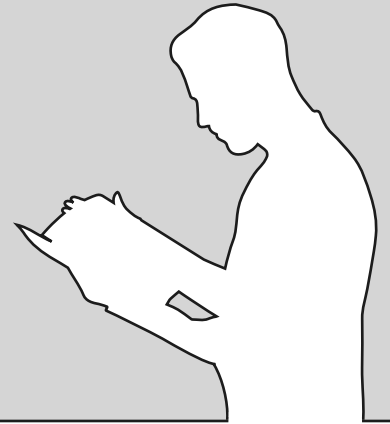
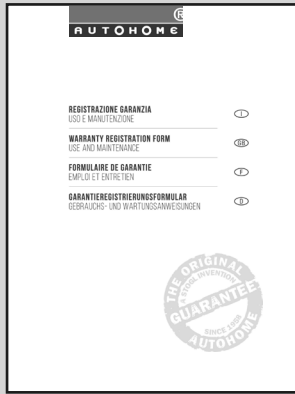
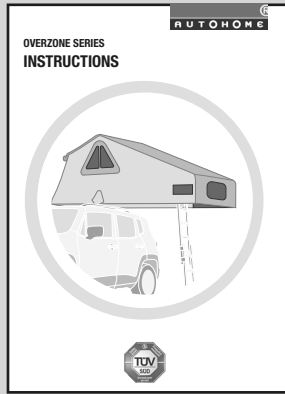


WARNINGS

Avvertenze • Avertissement • Warnungen



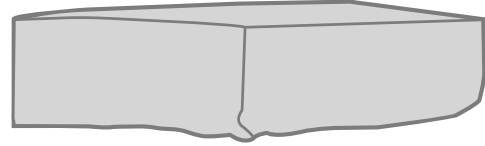
MODELS <i>Modelle</i> <i>Modèles</i> <i>Modelli</i>	TENT WEIGHT <i>Zeltgewicht</i> <i>Poids de la tente</i> <i>Peso della tenda</i>	MAXIMUM OCCUPANTS WEIGHT <i>Maximales Bewohnergewicht</i> <i>Poids Maximum des occupants</i> <i>Peso massimo degli occupanti</i>	MEASURES WHEN CLOSE <i>Abmessungen bei geschlossenem Zelt</i> <i>Dimensions (tente fermée)</i> <i>Misure chiusa</i>	MEASURES WHEN OPEN <i>Abmessungen bei offenem Zelt</i> <i>Dimensions (tente ouverte)</i> <i>Misure aperta</i>
<i>Overzone Small</i> <i>Overzone Medium</i> <i>Overzone Large</i>	<i>ca. 56 kg</i> <i>ca. 65 kg</i> <i>ca. 74 kg</i>	<i>ca. 180 kg</i> <i>ca. 230 kg</i> <i>ca. 280 kg</i>	<i>130x110x35 cm</i> <i>160x110x35 cm</i> <i>180x110x35 cm</i>	<i>130x220+70 (appendix) x125cm</i> <i>160x220+70 (appendix) x125 cm</i> <i>180x220+70 (appendix) x125 cm</i>



Kg P1



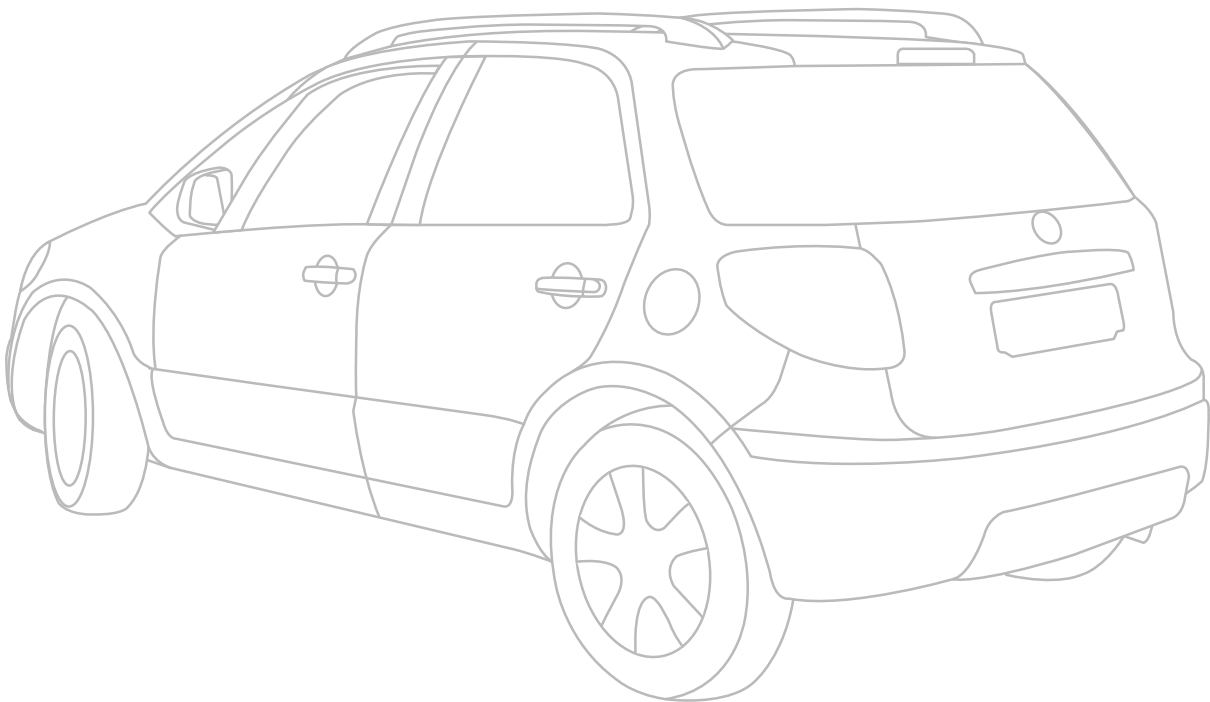
Kg P2

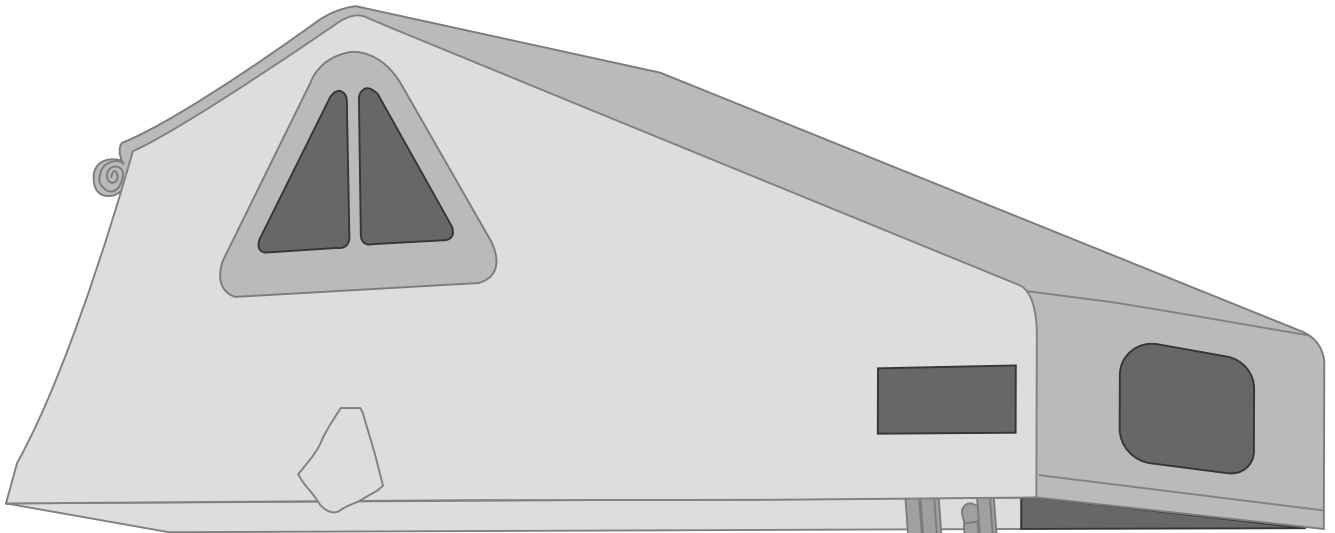


$$(P1 + P2) \leq \text{Kg } P_{MAX}$$



Kg P_{MAX}





UP

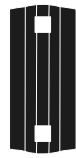
UNDER



X8



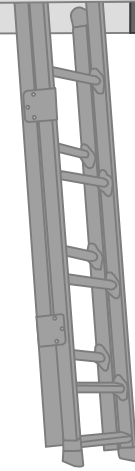
X8



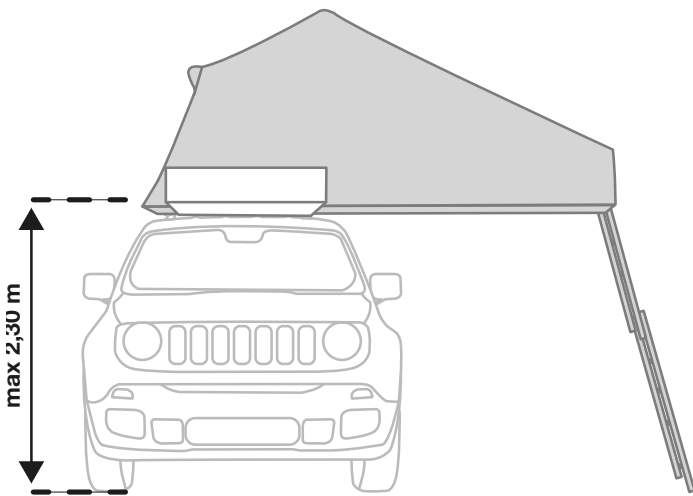
X4



X8



X1



X5



X2

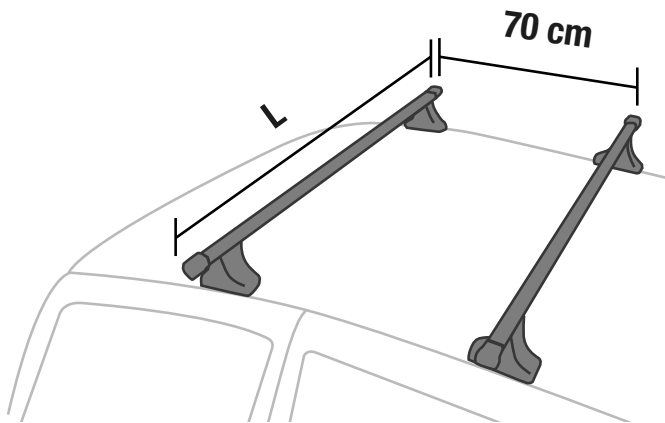
POSITIONING

Posizionamento • Placement • Platzierung

1

Minimum length

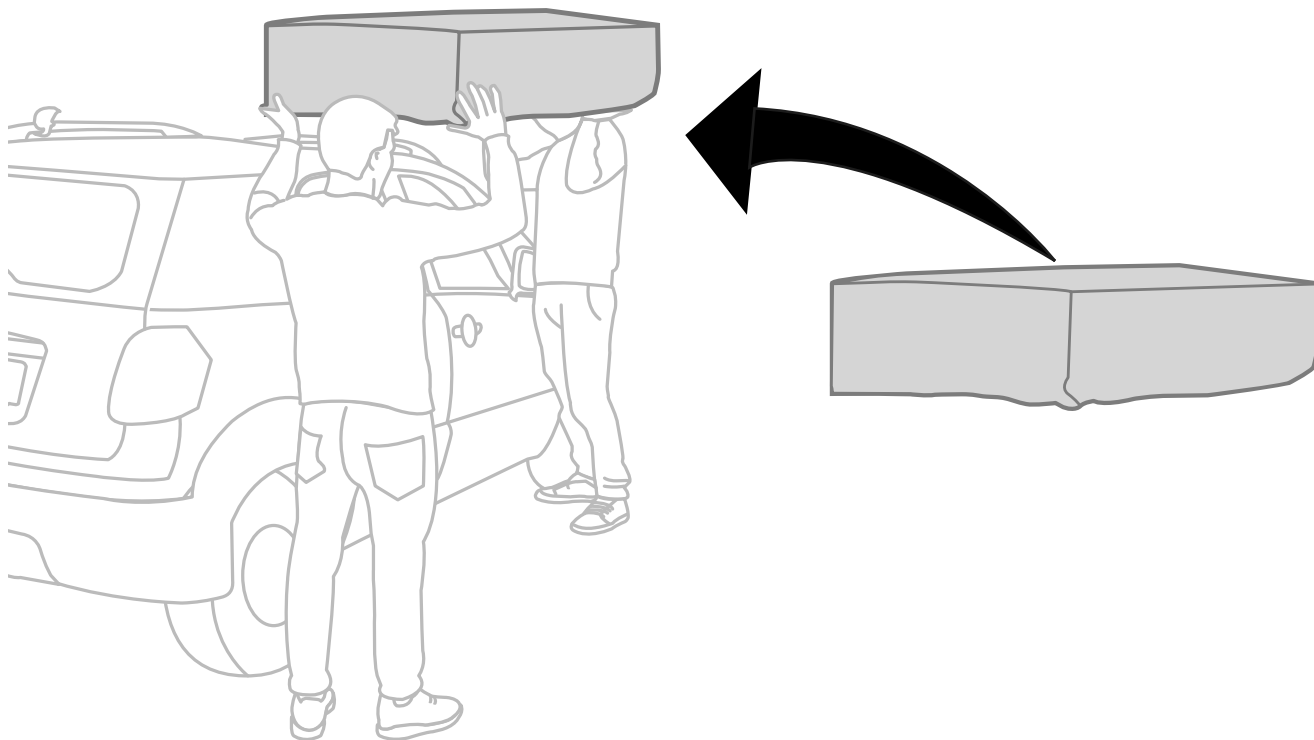
Lunghezza minima • Longueur minimale • Mindestlänge



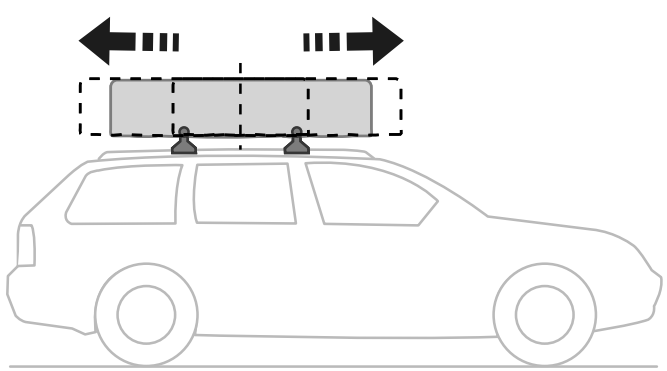
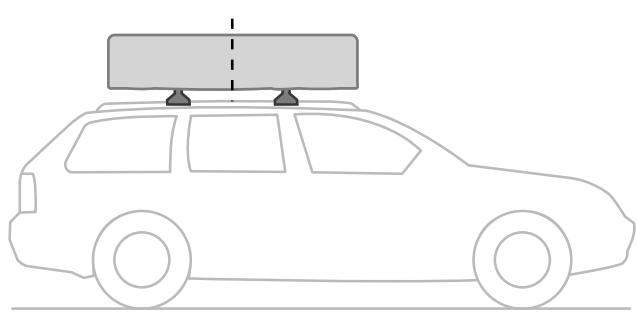
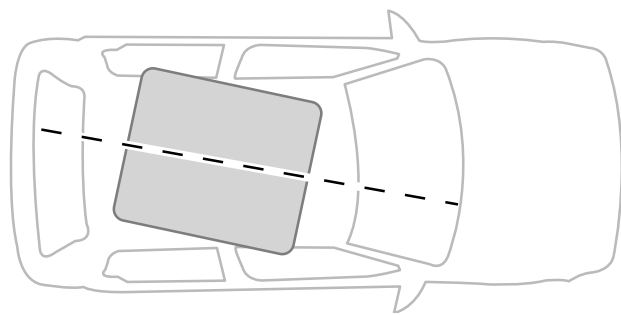
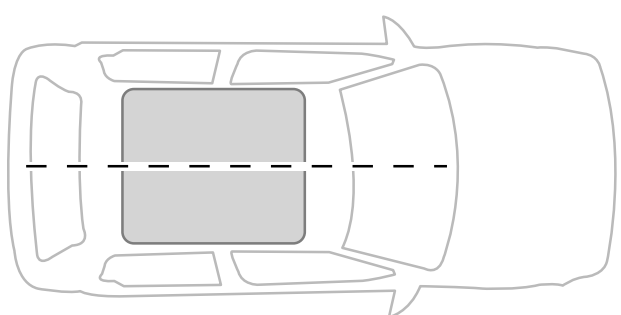
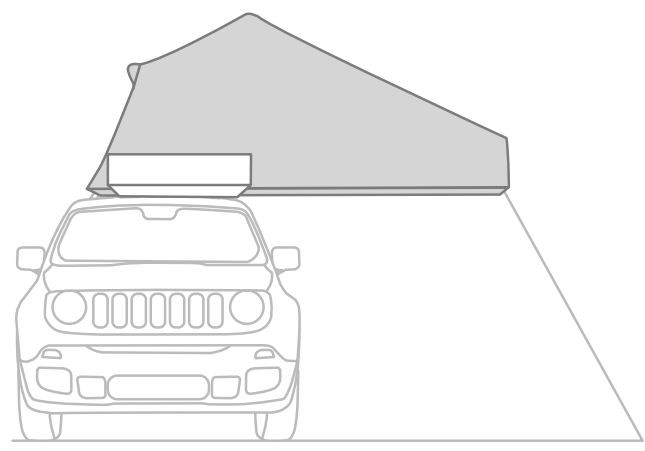
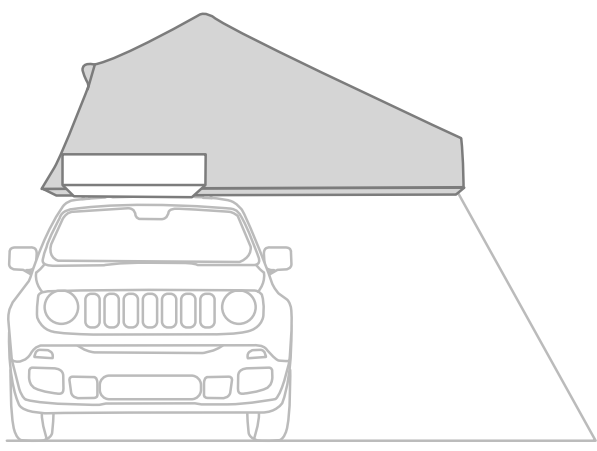
ROOF TENT

L

Overzone Small	110 - 120 cm
Overzone Medium	110 - 120 cm
Overzone Large	110 - 120 cm



2

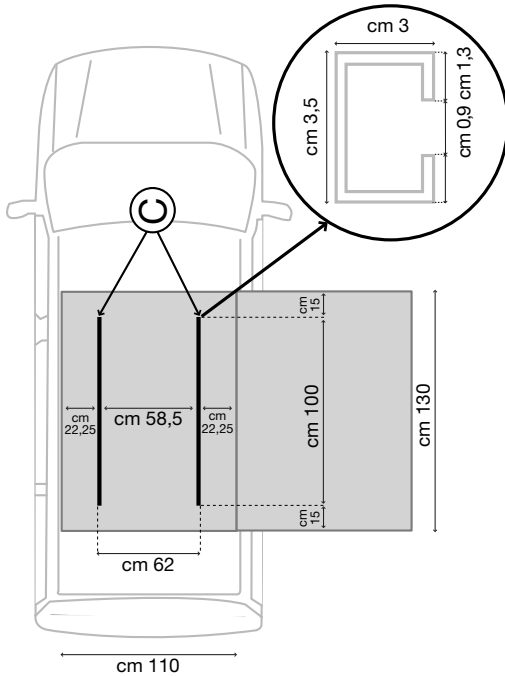


FIXING

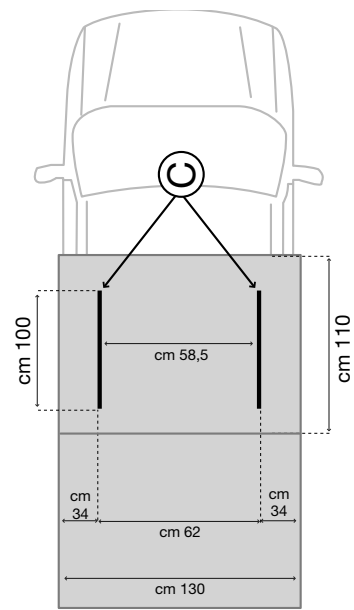
Fissaggio • Fixation • Befestigung

3

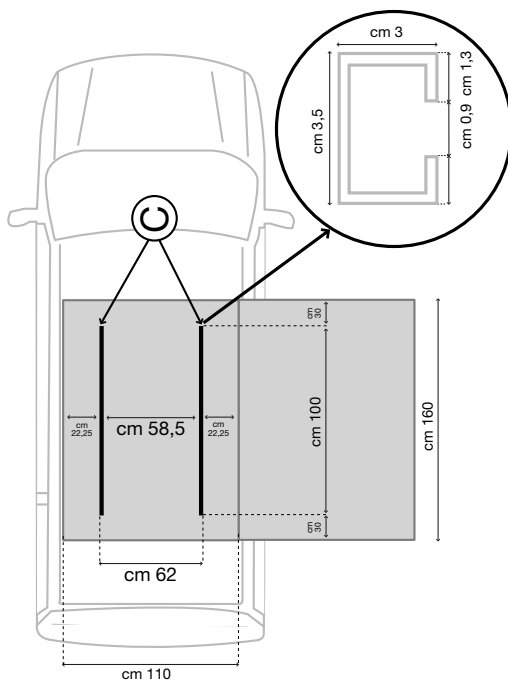
STANDARD FIXING OVERLAND SMALL



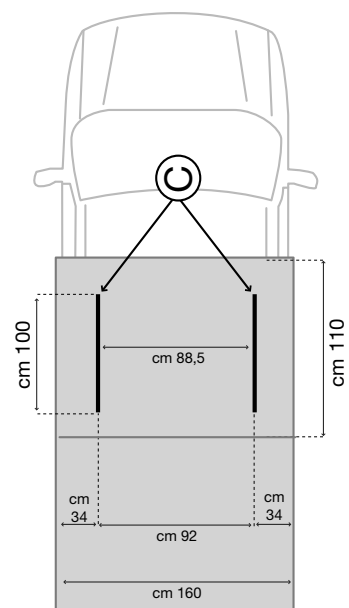
EXPLORER FIXING OVERLAND SMALL



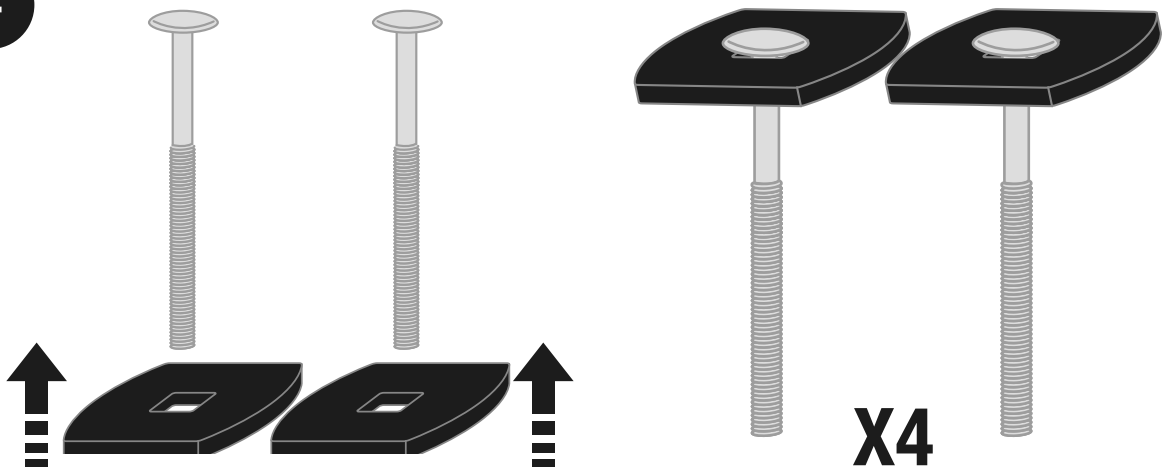
STANDARD FIXING OVERLAND MEDIUM



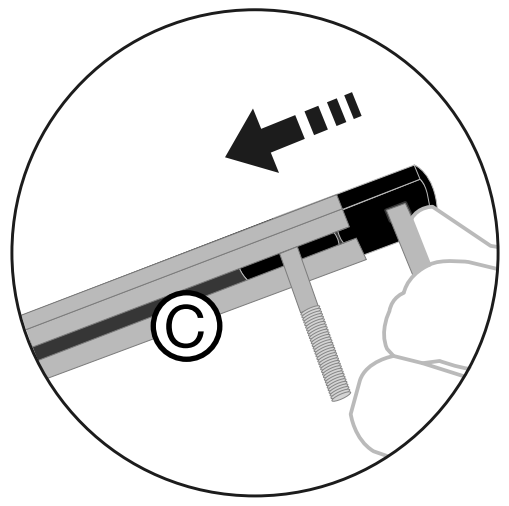
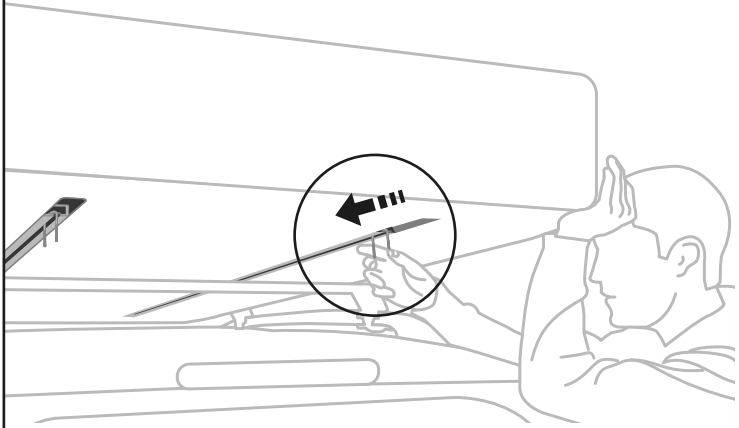
EXPLORER FIXING OVERLAND MEDIUM



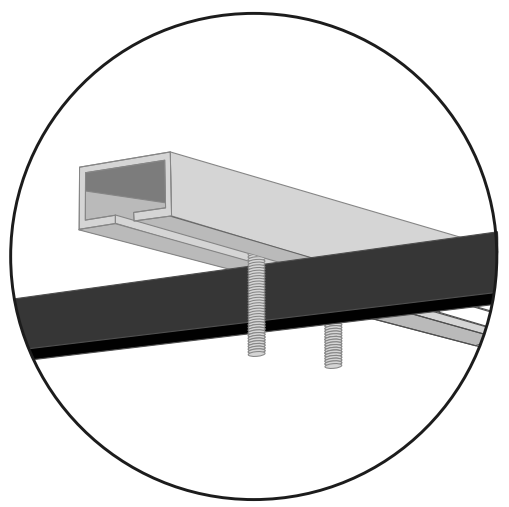
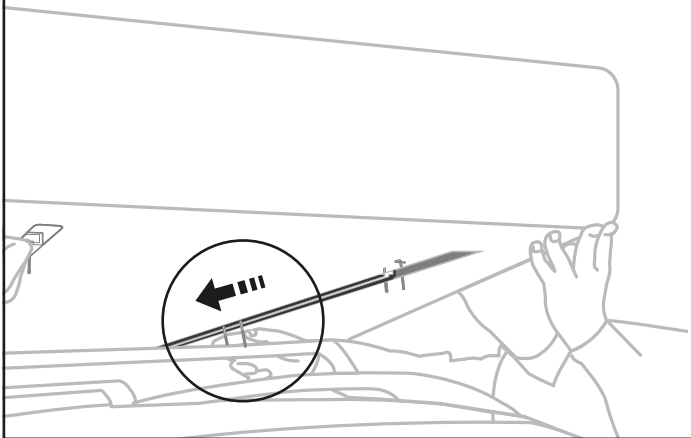
4



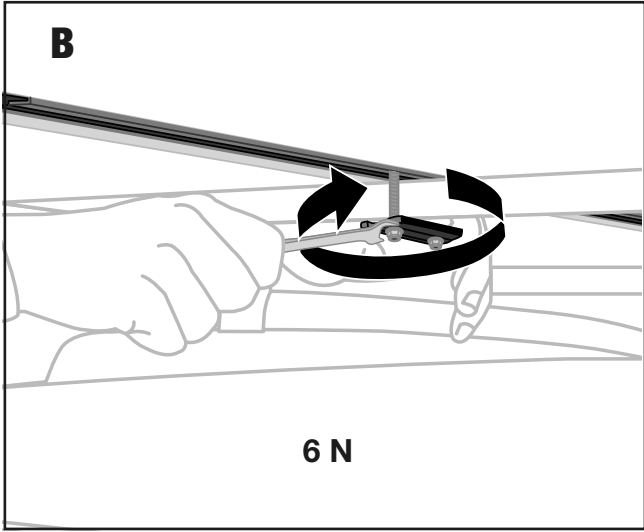
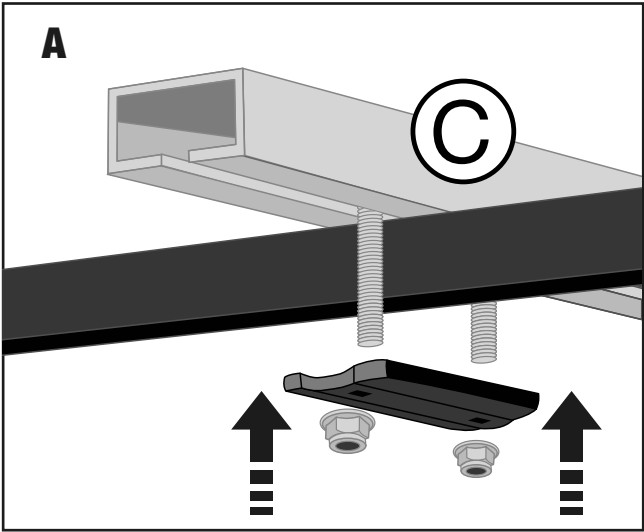
5



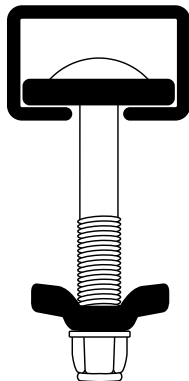
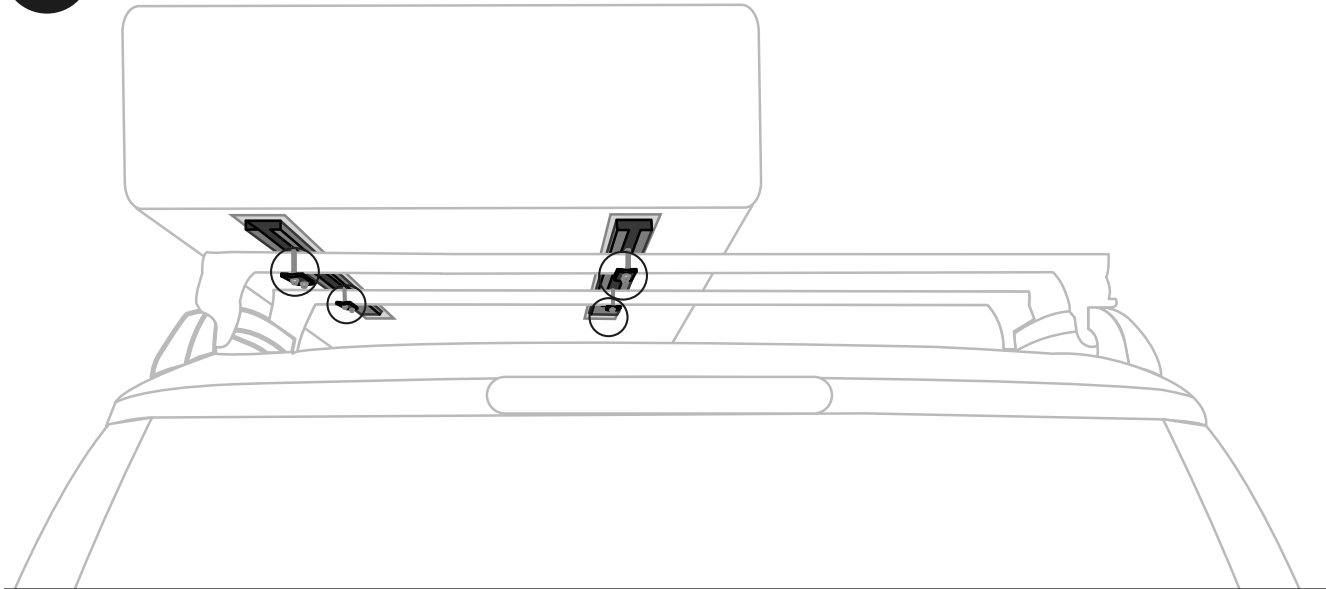
6



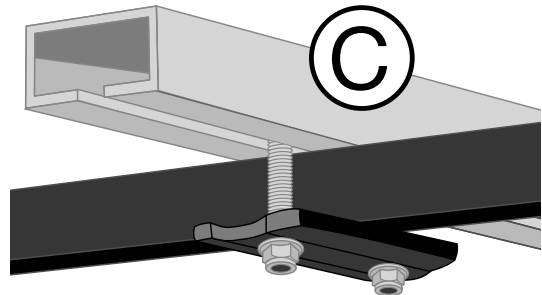
7



8



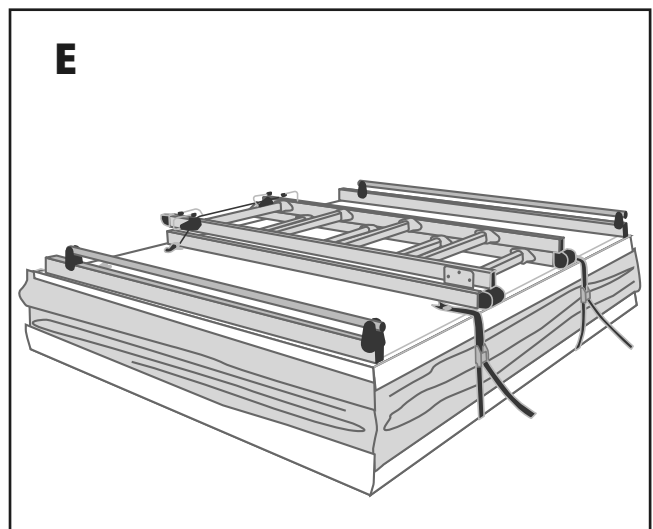
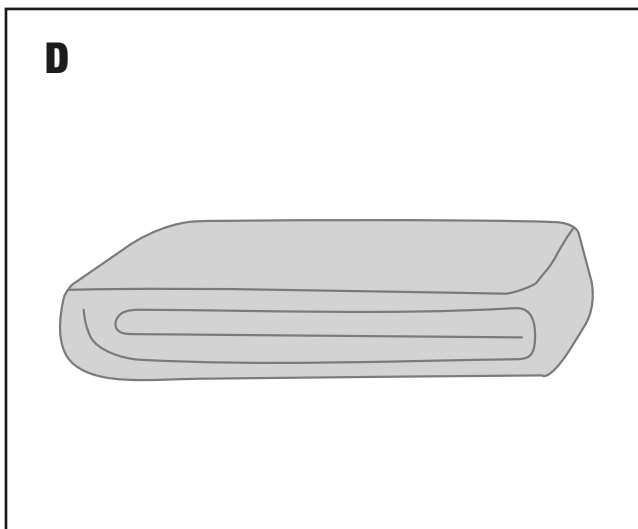
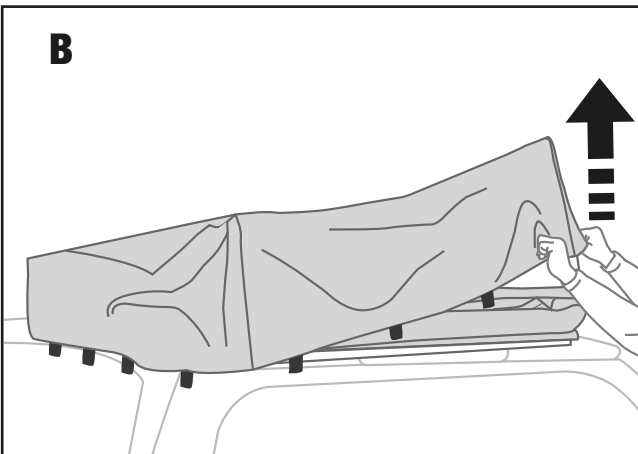
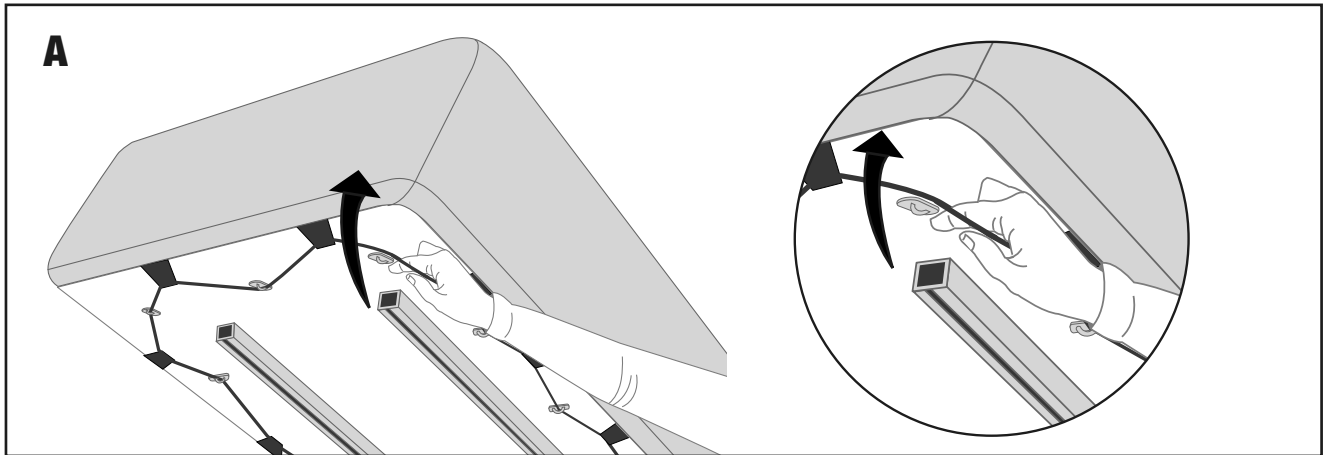
X4



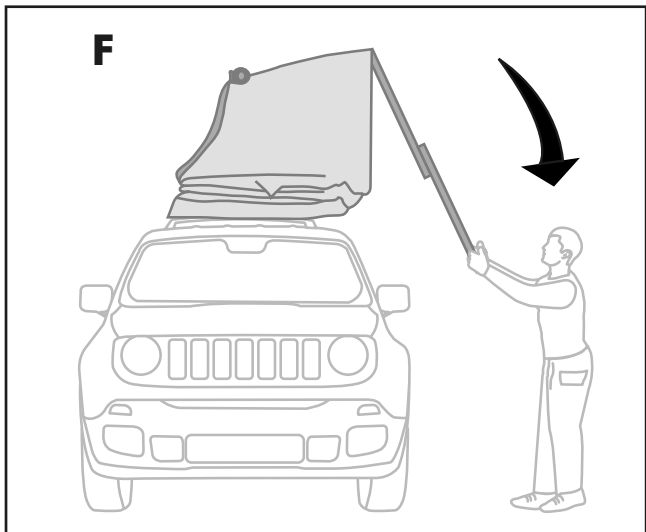
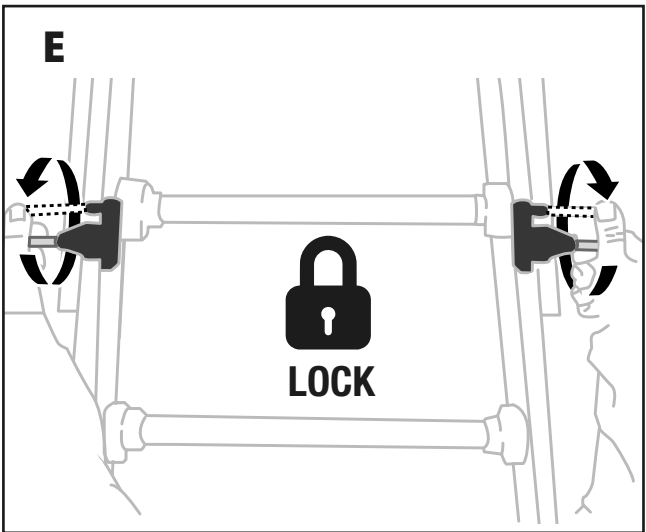
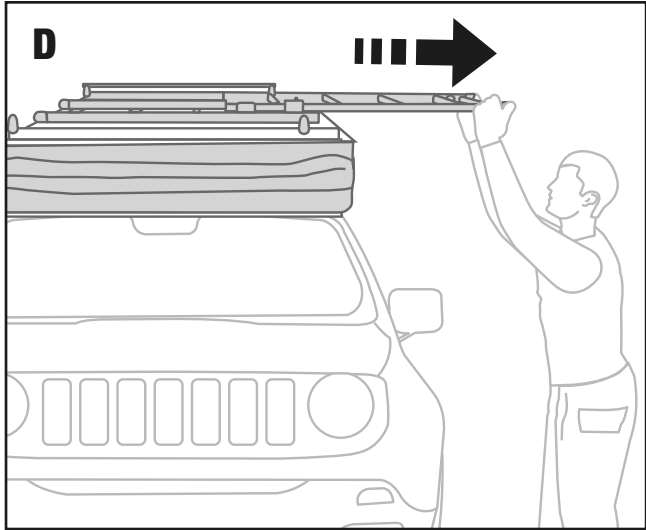
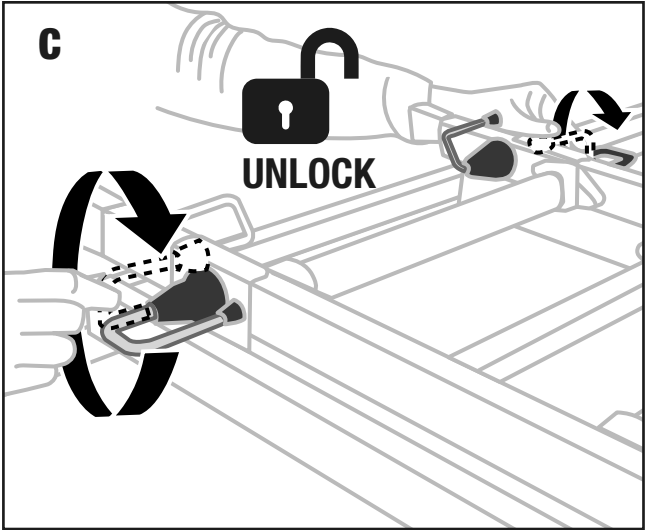
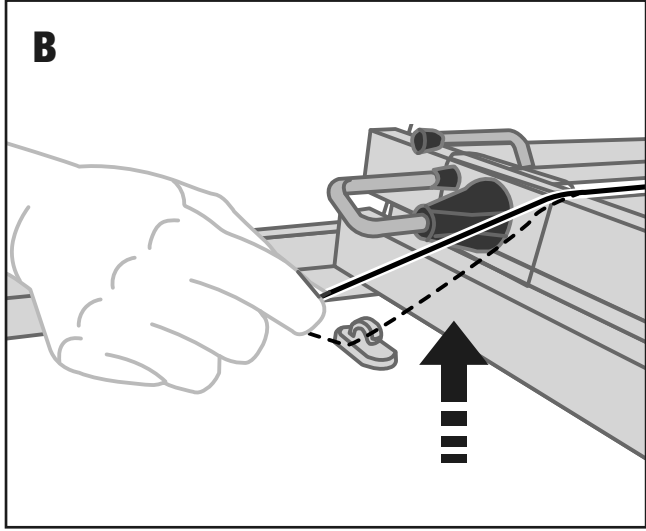
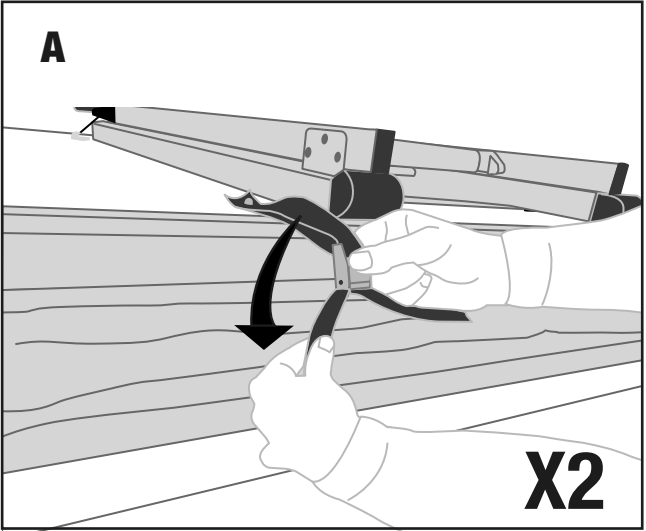
OPENING

Apertura • Overture • Öffnung

9

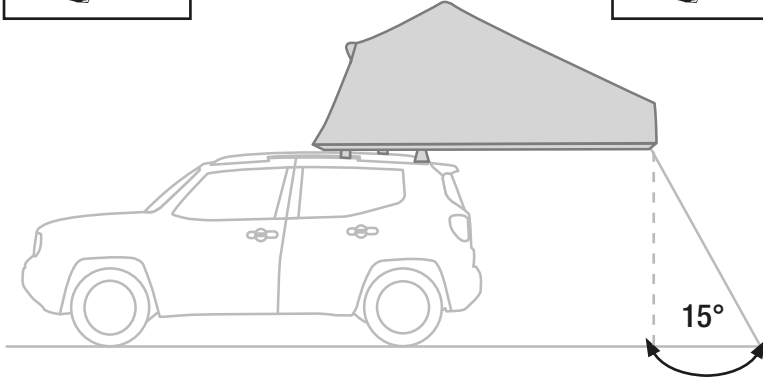


10

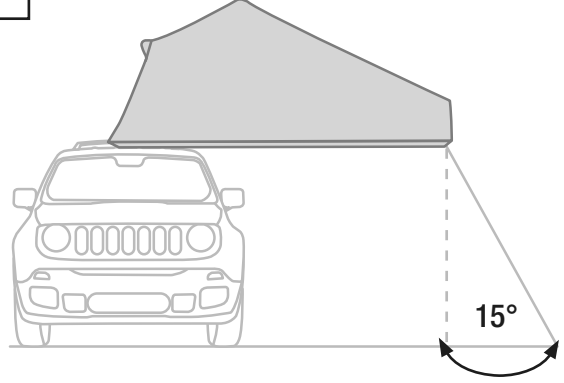


11

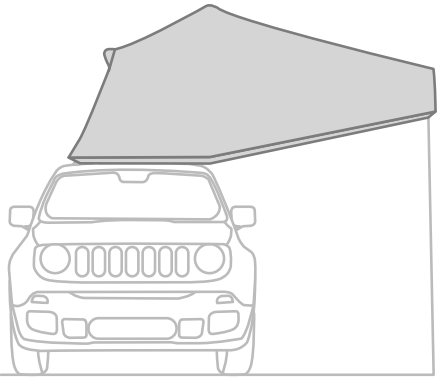
ok ✓



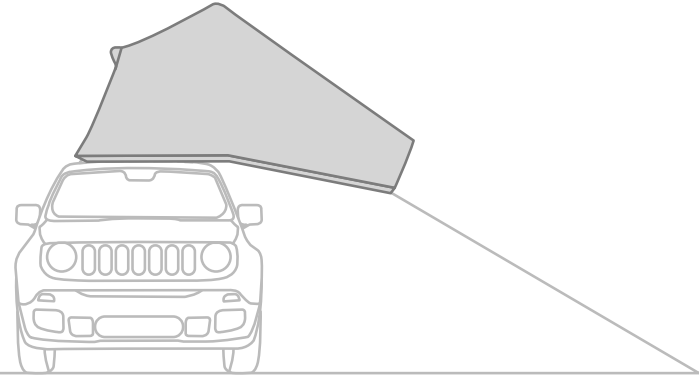
ok ✓



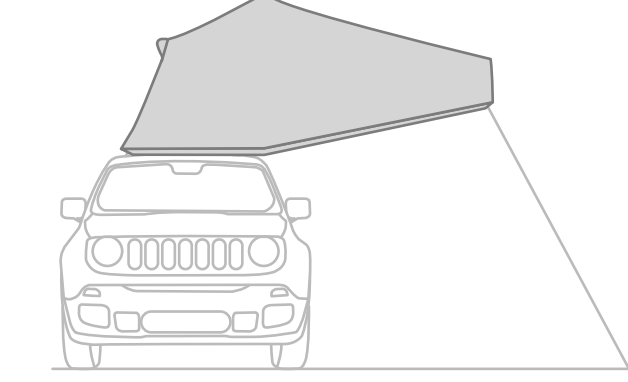
NOT ok ✗



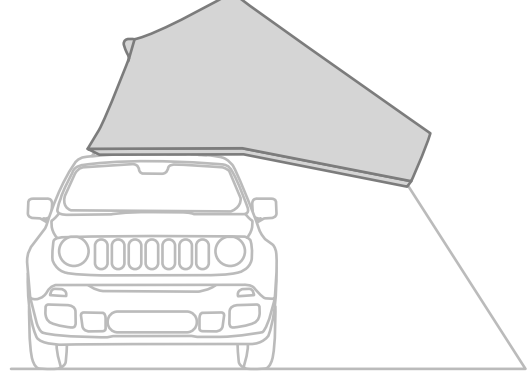
NOT ok ✗



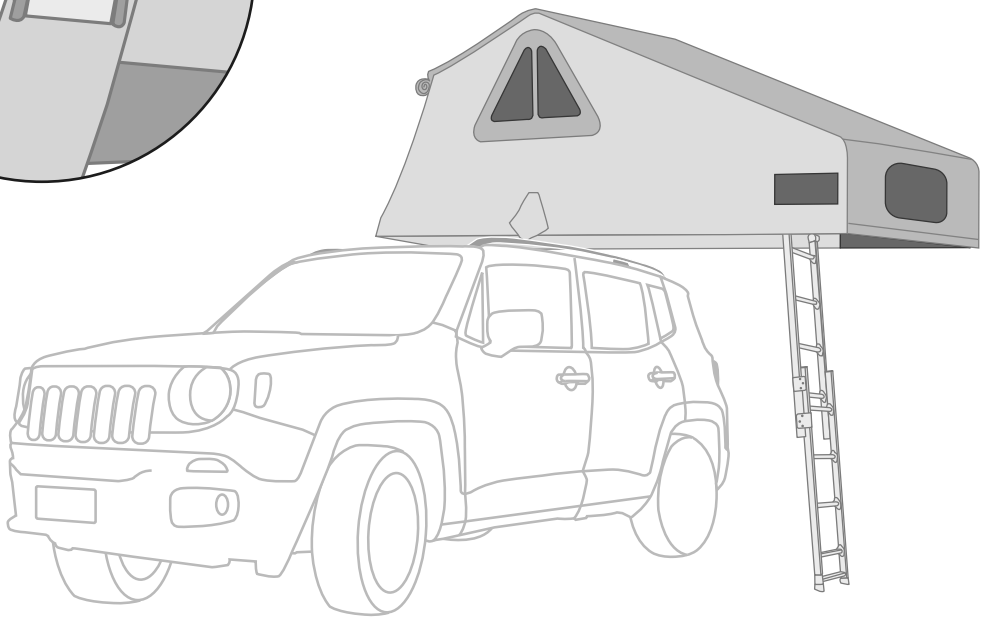
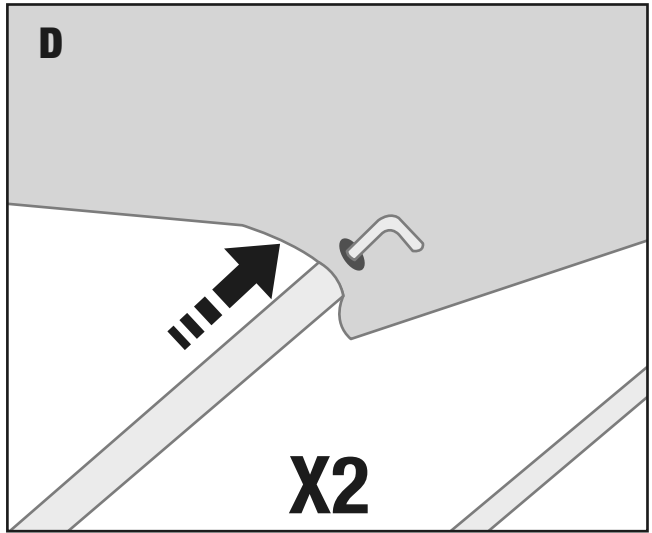
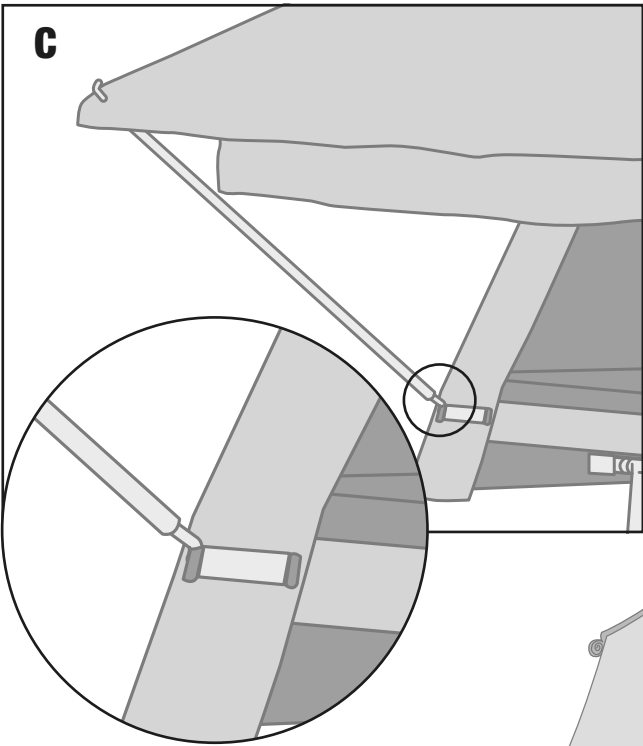
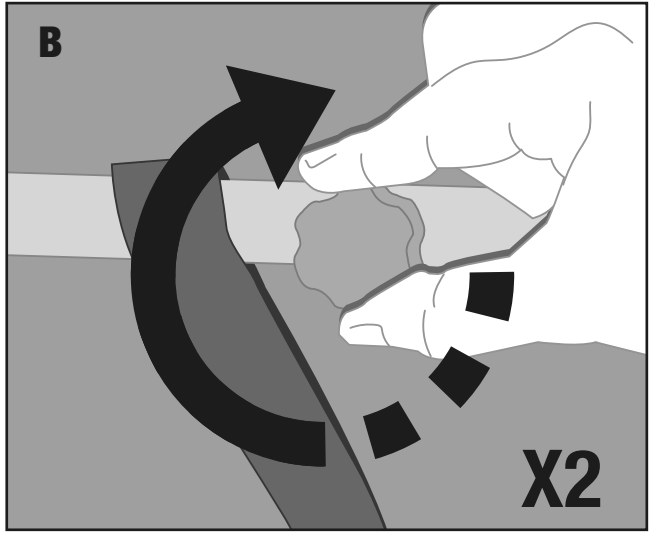
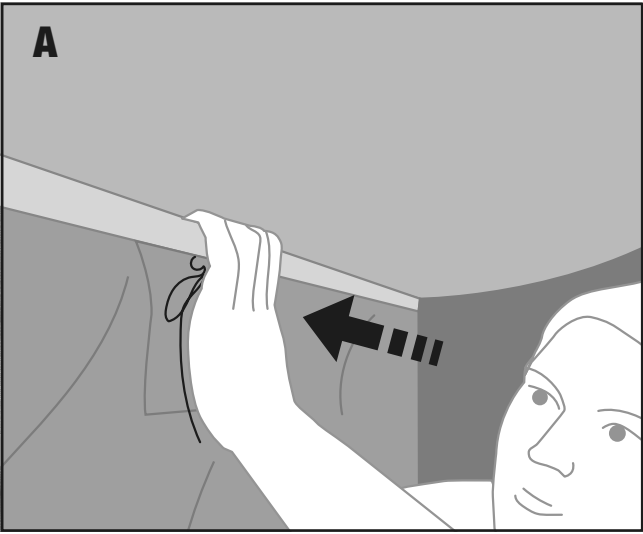
NOT ok ✗



NOT ok ✗



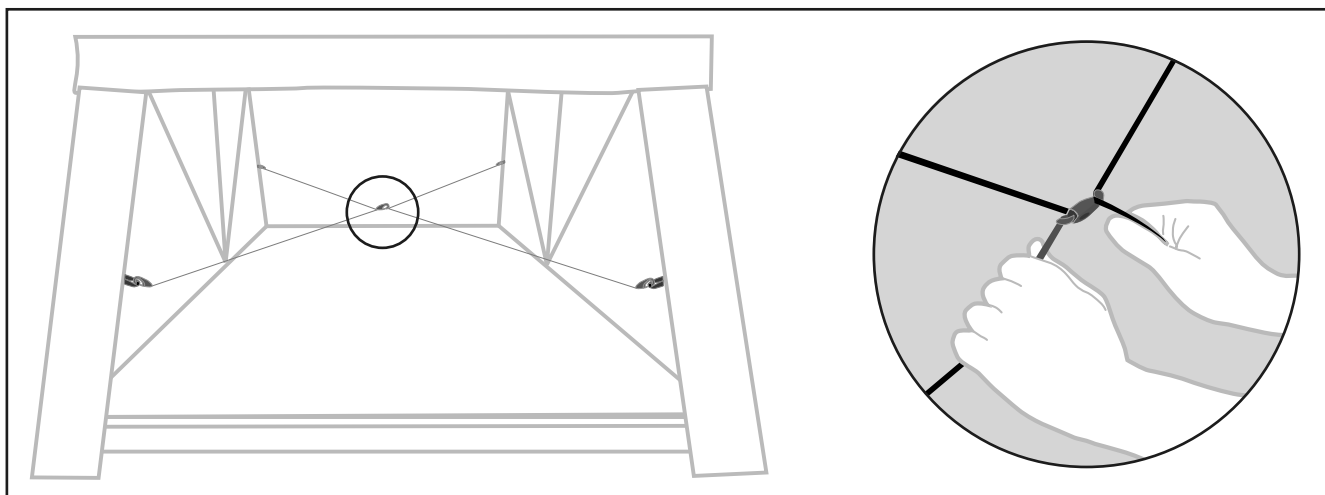
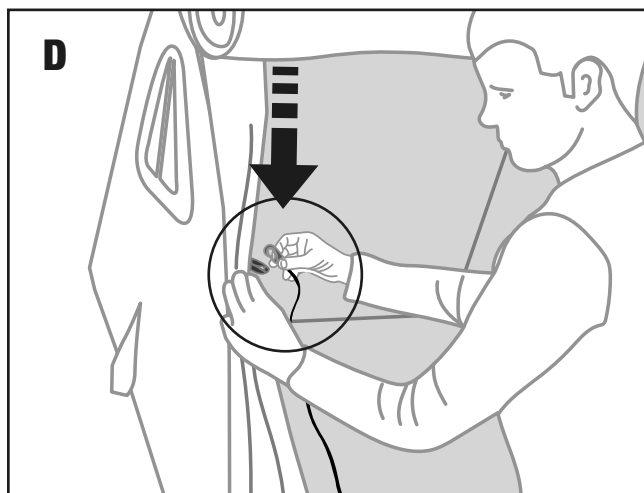
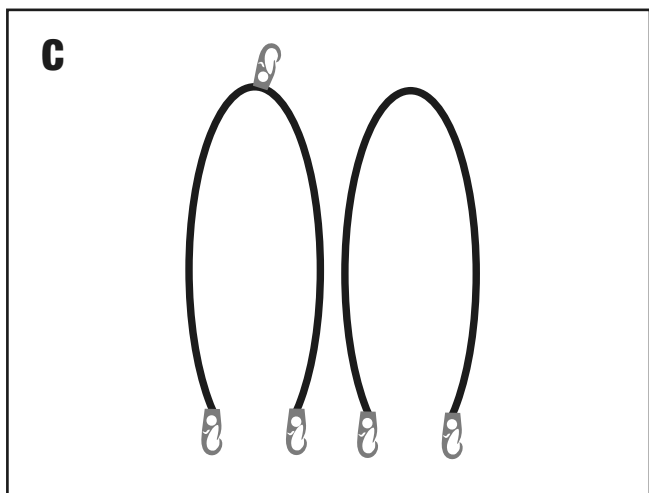
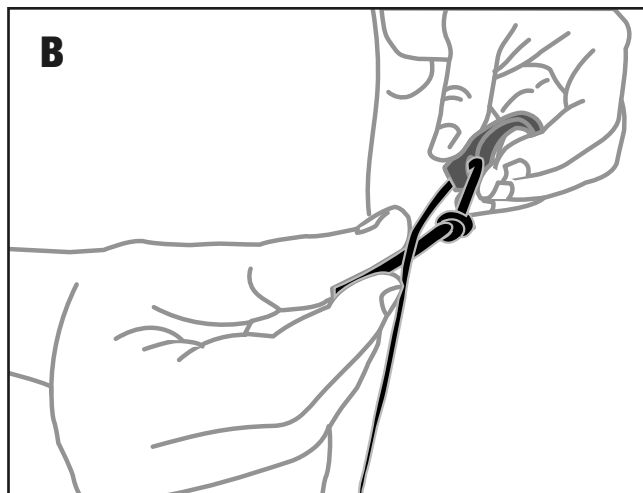
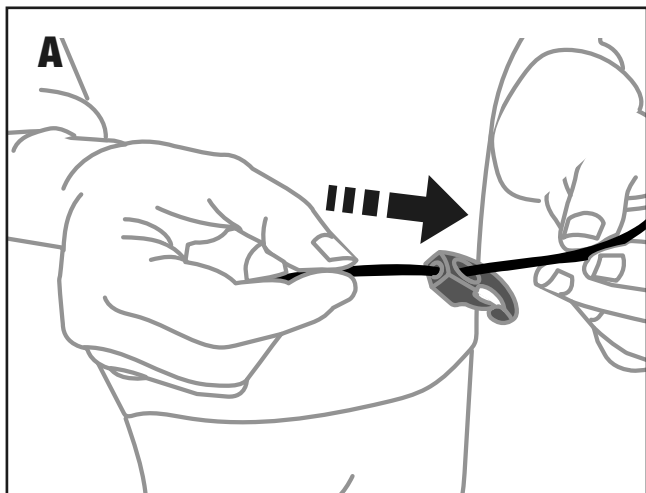
12



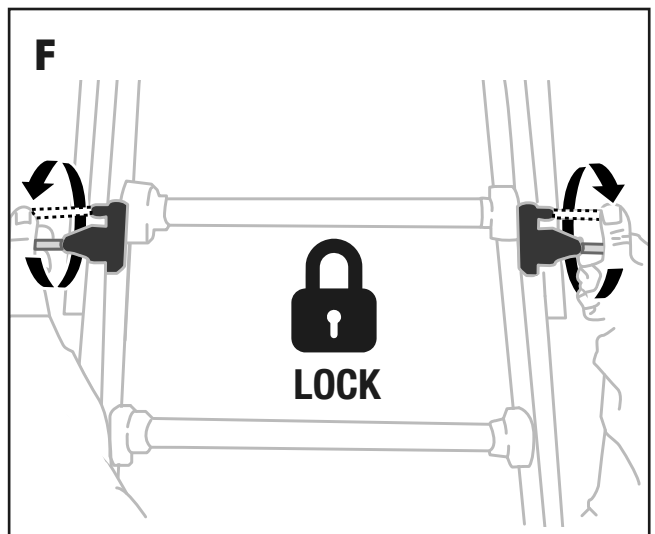
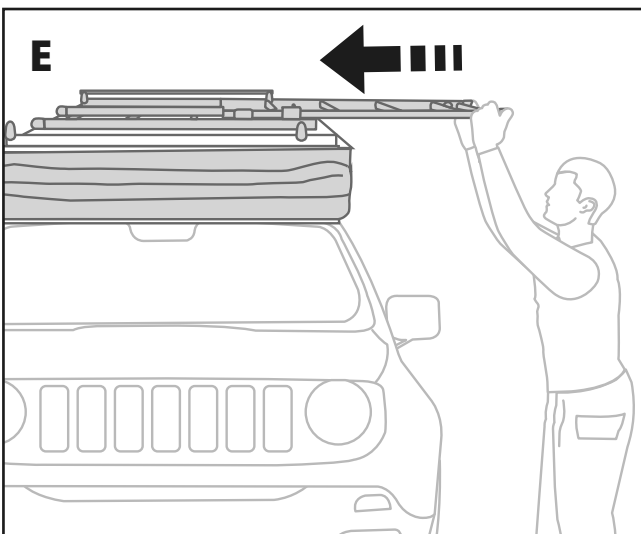
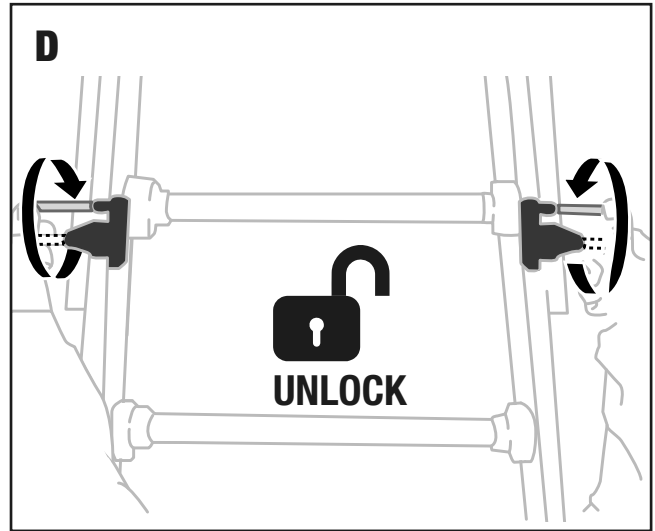
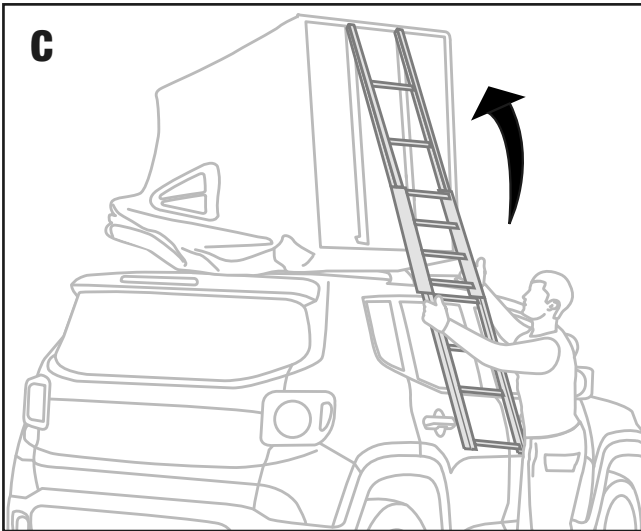
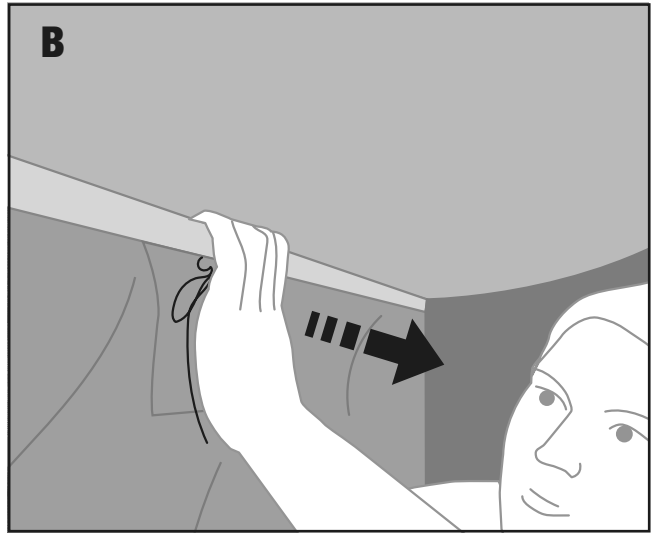
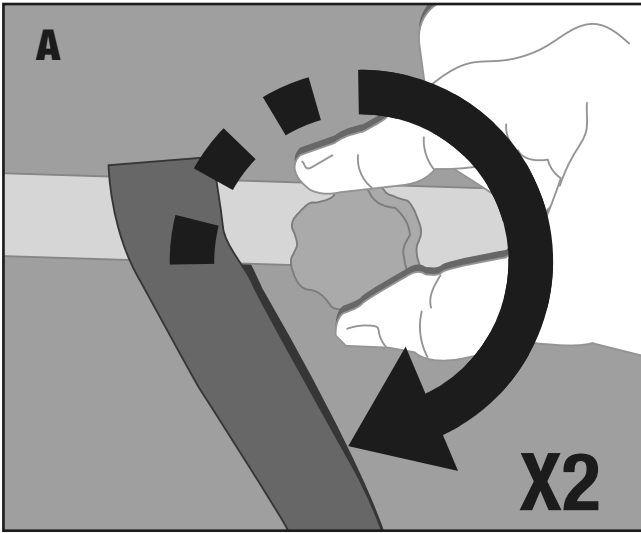
CLOSING

Chiusura • Fermeture • Schließung

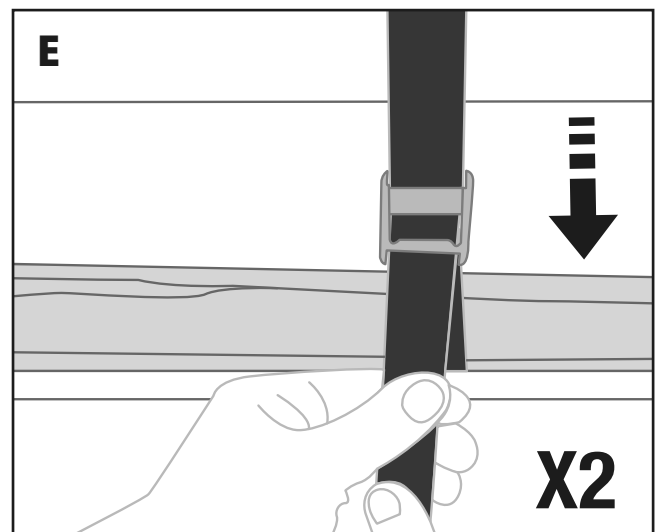
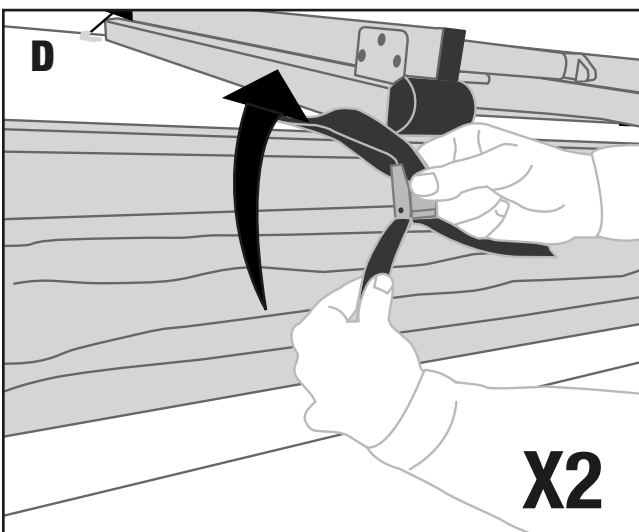
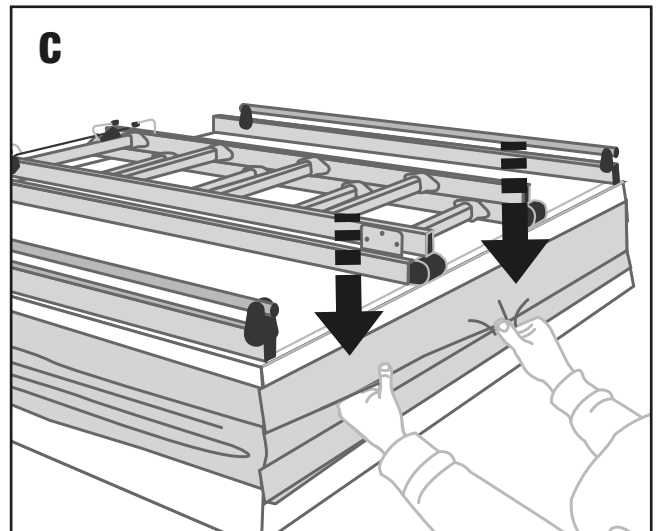
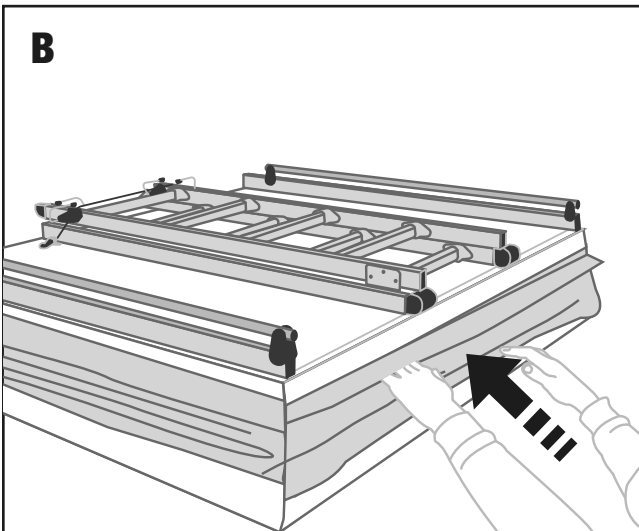
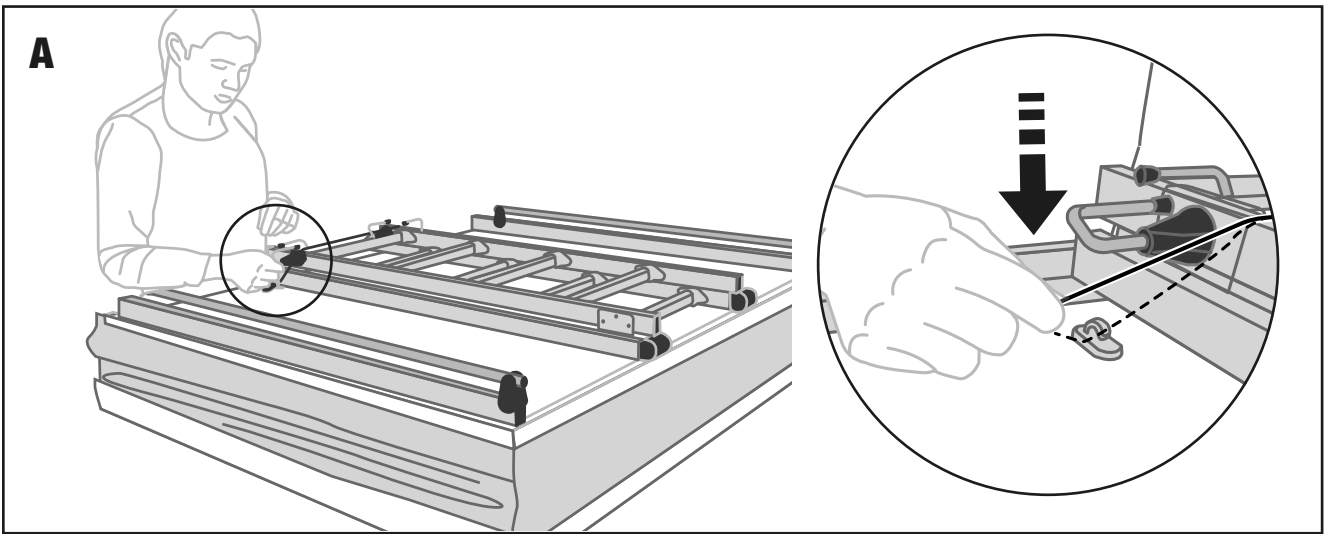
13

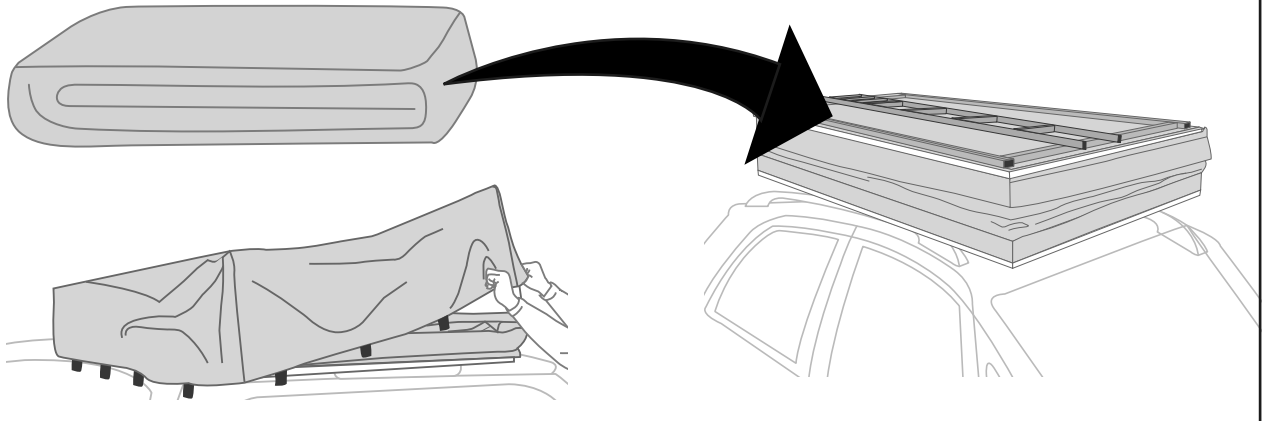
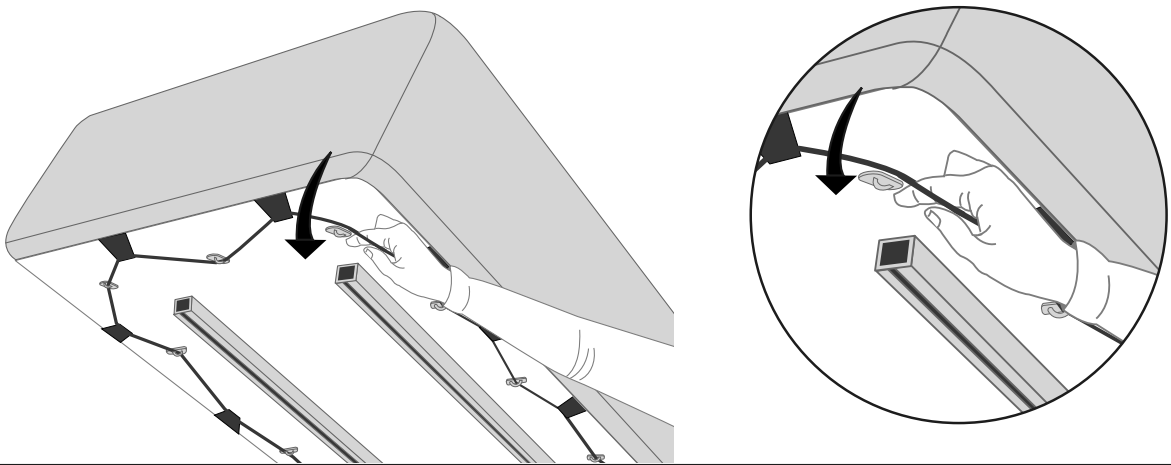
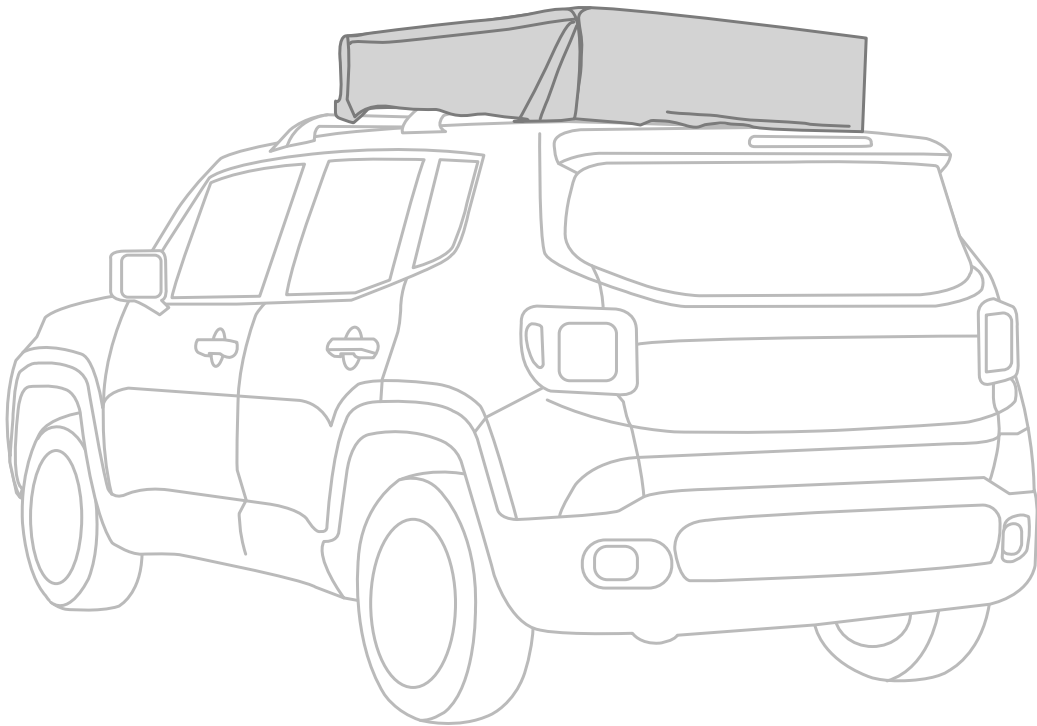


14

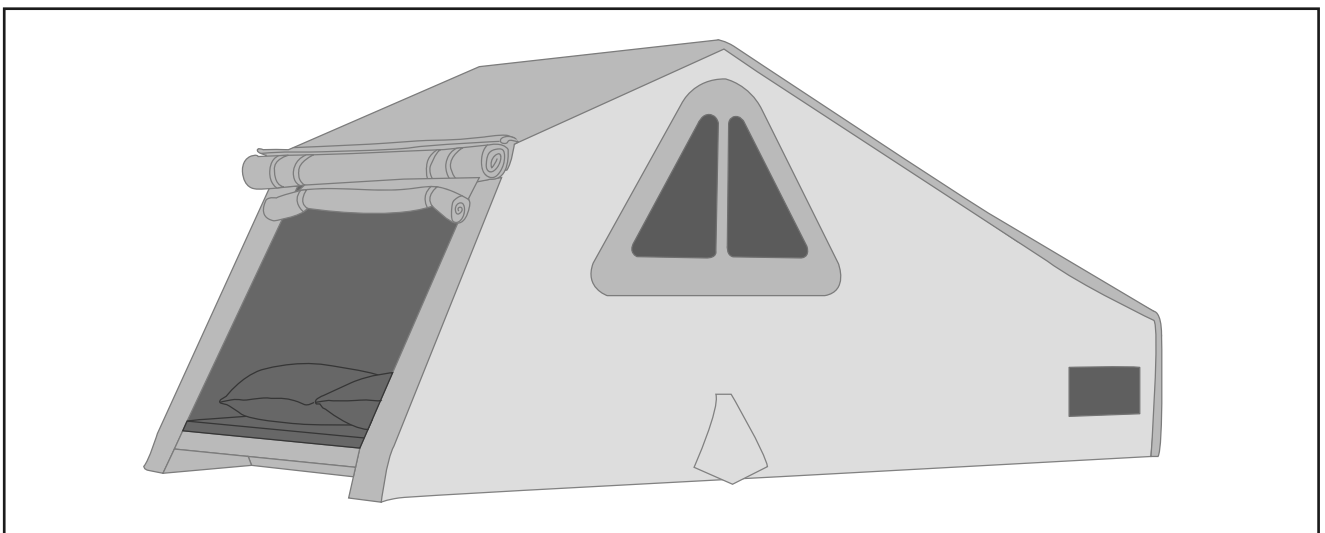
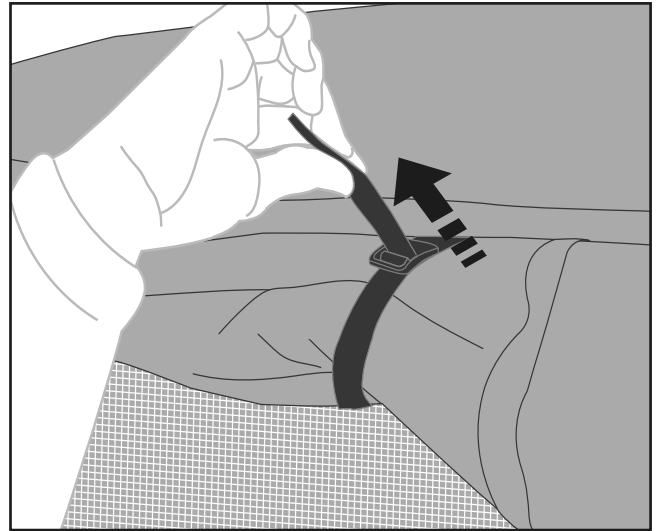
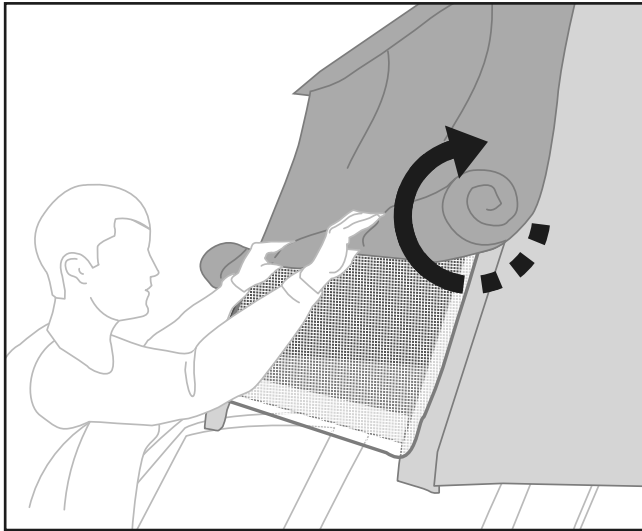
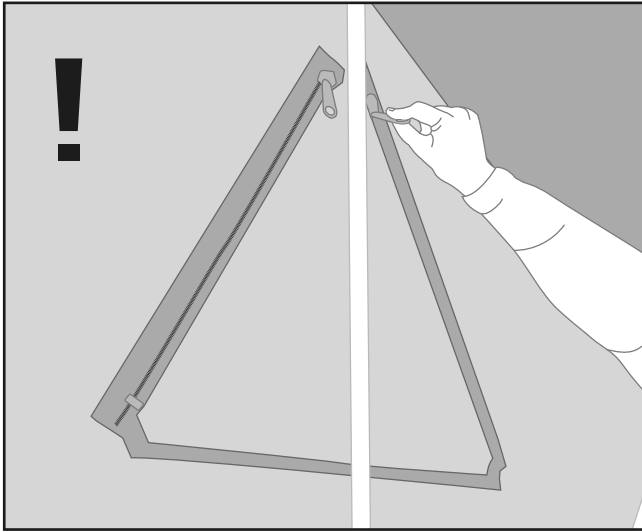


15



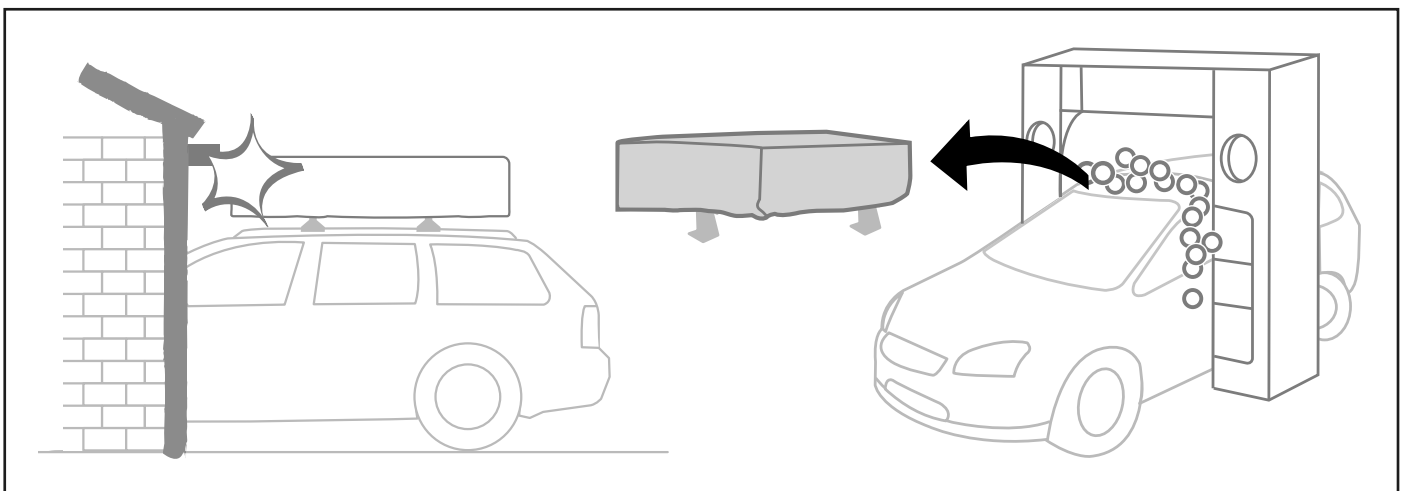
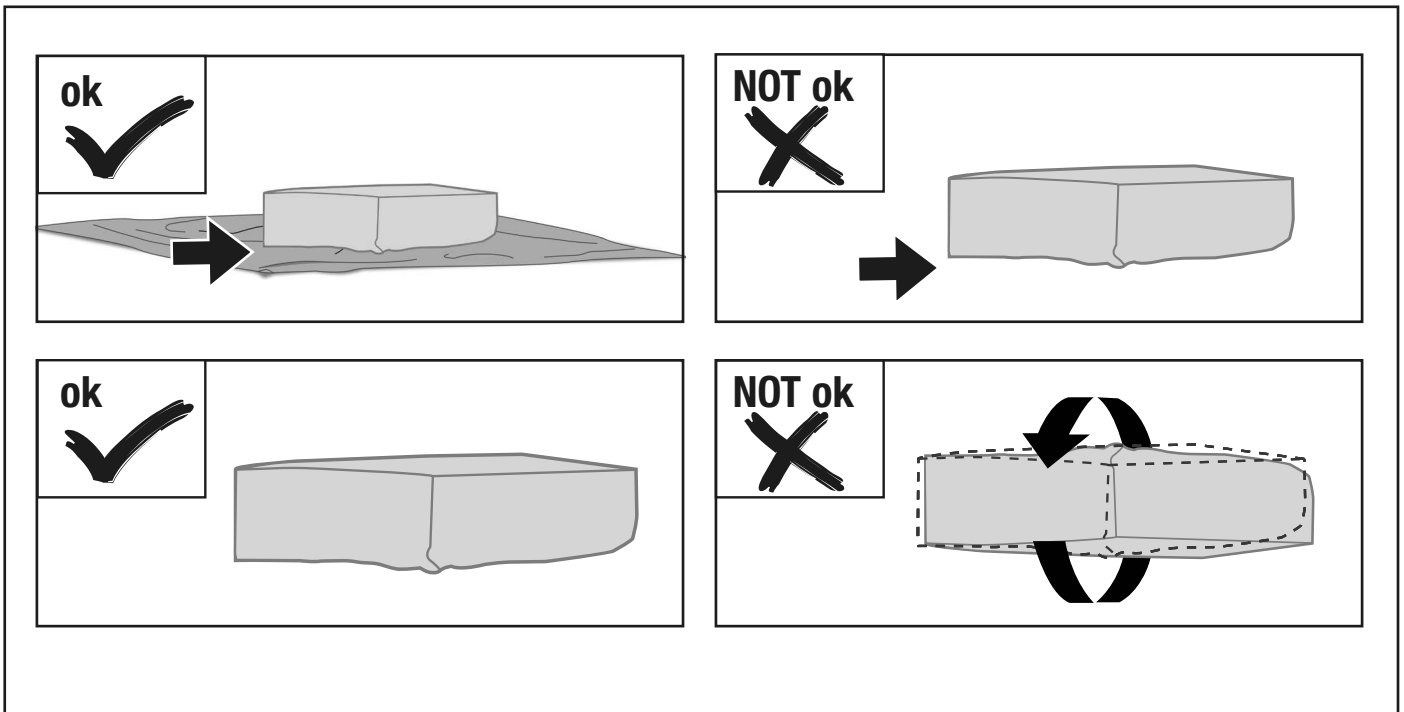
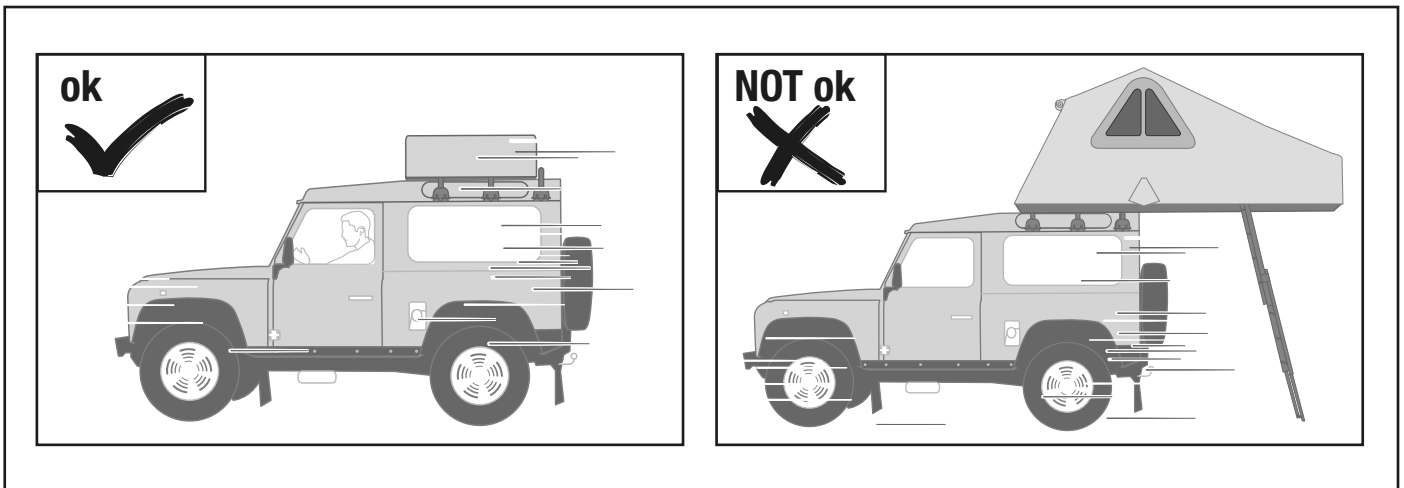
F**G****16**

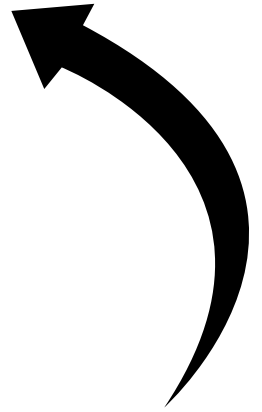
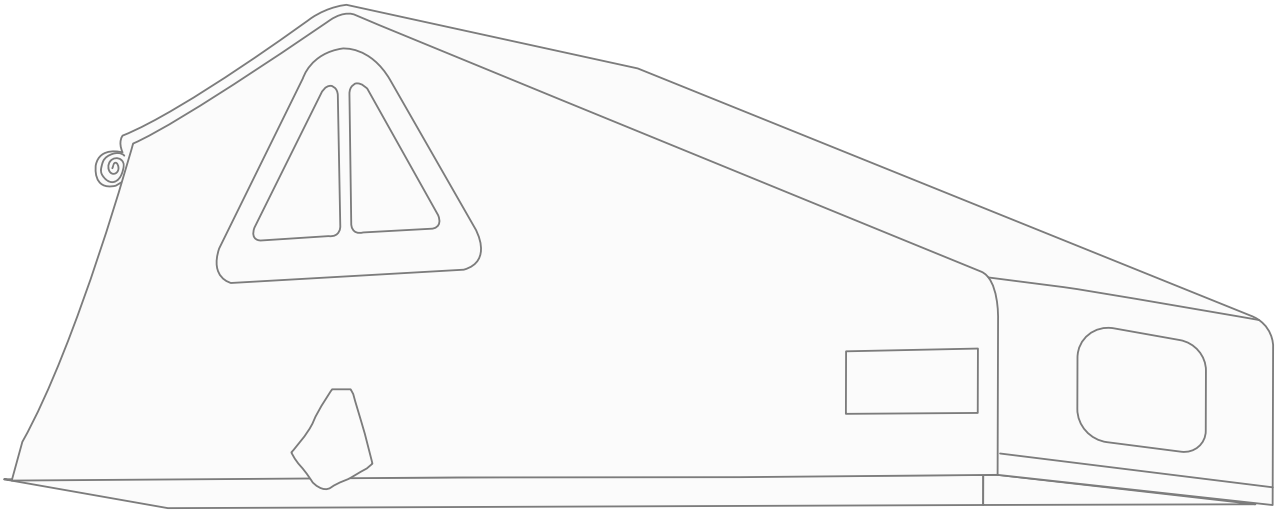
HANDLE WITH CARE



WARNINGS

Avvertenze • Avertissement • Warnungen









AUTOHOME® produced by
Zifer Italia Srl
Viale Risorgimento, 23
46017 Rivarolo Mantovano
(Mantova) Italy
Tel. +39 0376 99590
+39 0376 958164
Fax +39 0376 958088

AUTOHOME-OFFICIAL.COM
info@autohome.it

 MADE IN ITALY

 Autohome Official-Page

 autohome_official



PRODUCT QUALITY CERTIFICATION