



**AUTOHOME**



# OVERCAMP SERIES INSTRUCTIONS

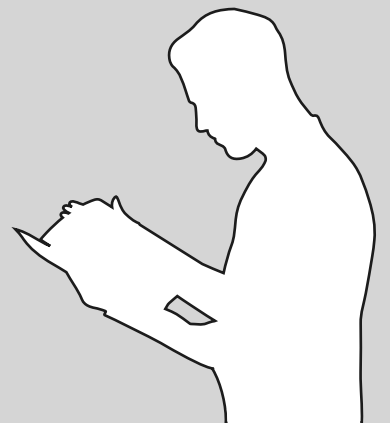
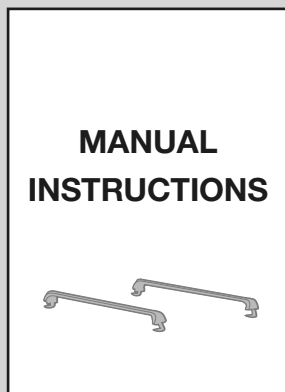
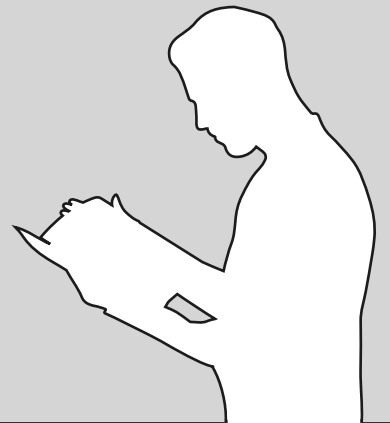
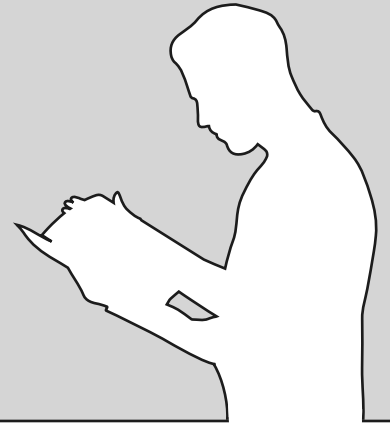
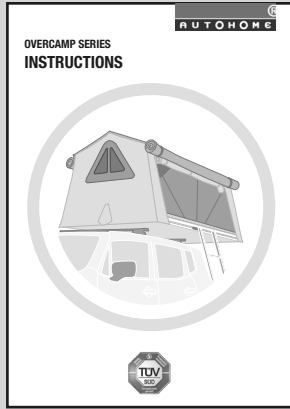


# WARNINGS

Avvertenze • Avertissement • Warnungen



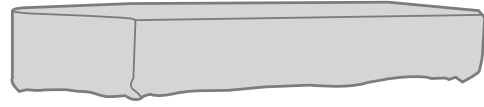
<b>MODELS</b> <i>Modelle</i> <i>Modèles</i> <i>Modelli</i>	<b>TENT WEIGHT</b> <i>Zeltgewicht</i> <i>Poids de la tente</i> <i>Peso della tenda</i>	<b>MAXIMUM OCCUPANTS WEIGHT</b> <i>Maximales Bewohnergewicht</i> <i>Poids Maximum des occupants</i> <i>Peso massimo degli occupanti</i>	<b>MEASURES WHEN CLOSE</b> <i>Abmessungen bei geschlossenem Zelt</i> <i>Dimensions (tente fermée)</i> <i>Misure chiusa</i>	<b>MEASURES WHEN OPEN</b> <i>Abmessungen bei offenem Zelt</i> <i>Dimensions (tente ouverte)</i> <i>Misure aperta</i>
<i>Overcamp Small</i> <i>Overcamp Large</i>	<i>ca. 54 kg</i> <i>ca. 66 kg</i>	 <i>ca. 180 kg</i>  <i>ca. 280 kg</i>	<i>65x200x35 cm</i> <i>90x200x35 cm</i>	<i>130x200x100 cm</i> <i>180x200x115 cm</i>



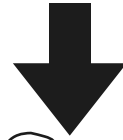
**Kg P1**



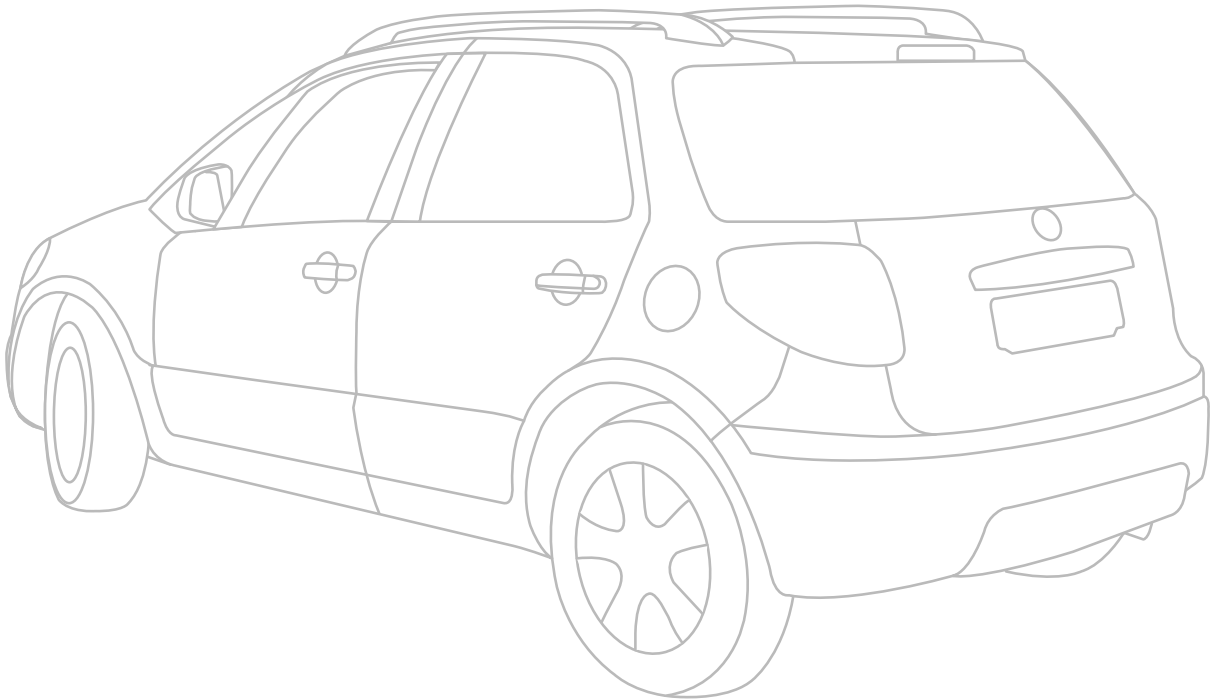
**Kg P2**

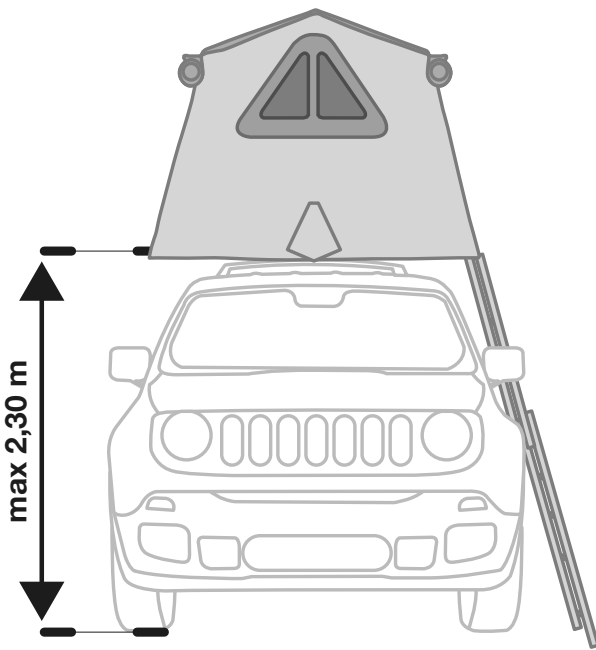
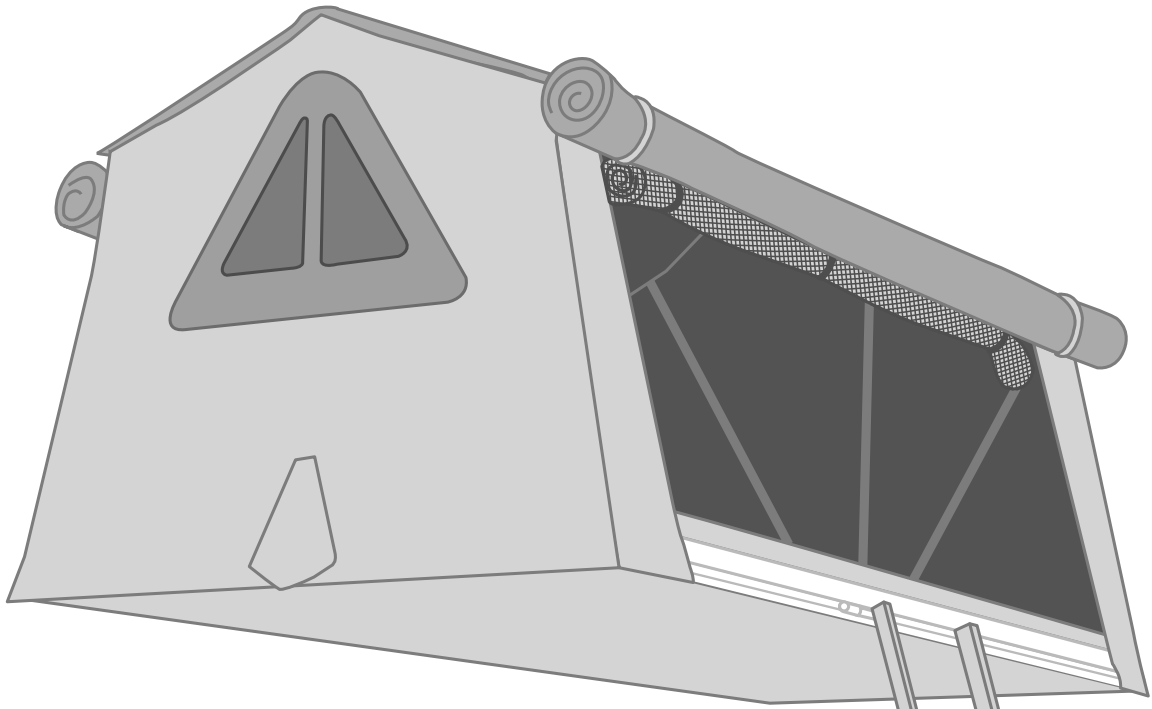


**( P1 + P2 ) ≤ Kg P<sub>MAX</sub>**

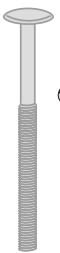


**Kg P<sub>MAX</sub>**





**X1**

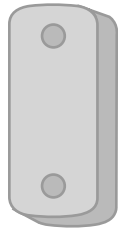


**X8**



**A**  
**X4**

h 4 mm



**B**  
**X4**

h 12 mm



**C**  
**X4**

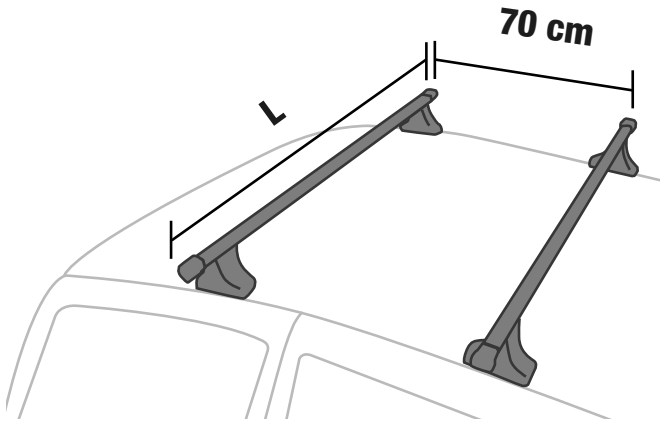
# POSITIONING

Posizionamento • Placement • Platzierung

1

## Minimum length

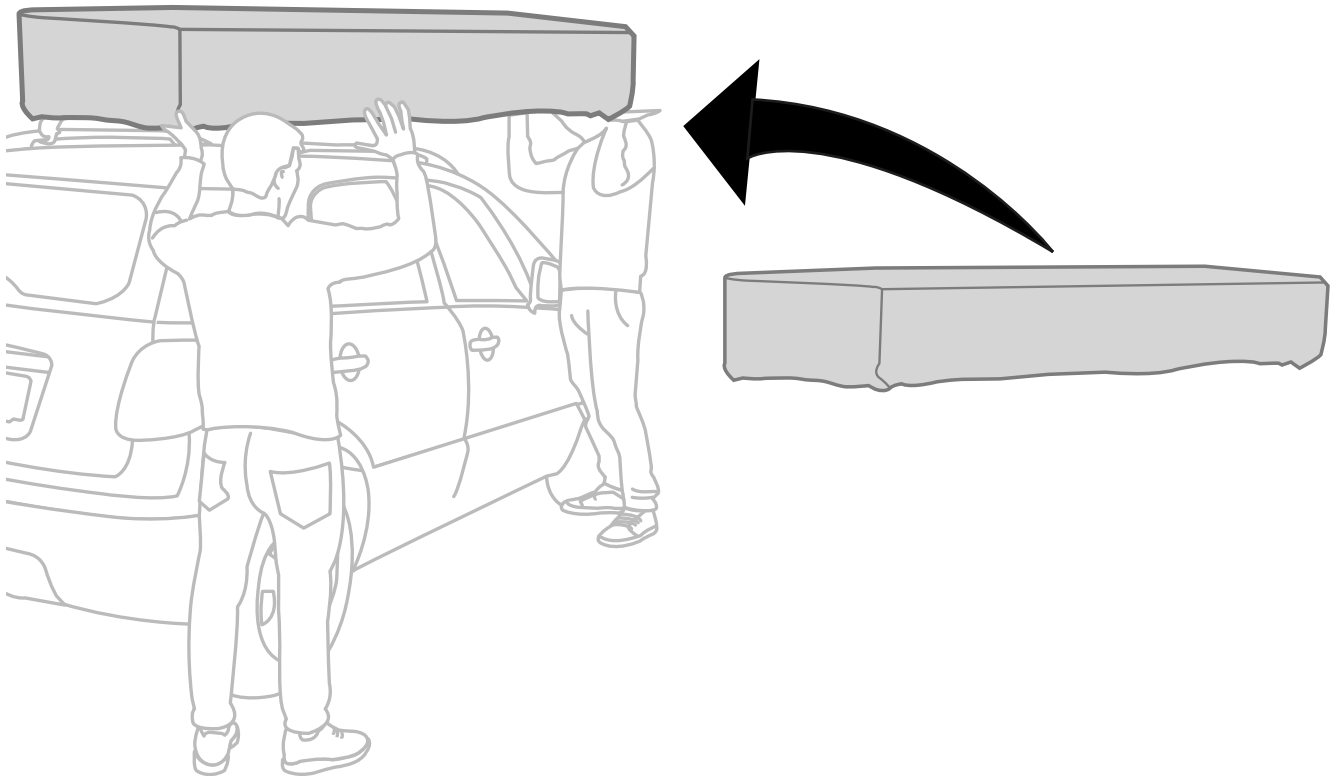
Lunghezza minima • Longueur minimale • Mindestlänge



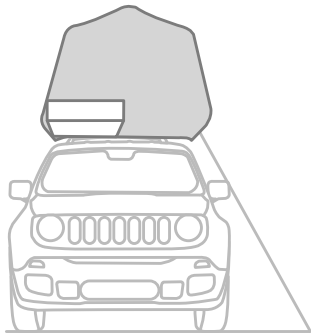
## ROOF TENT

L

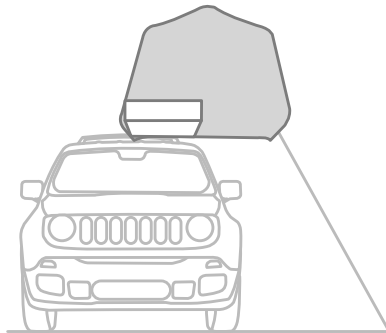
Overcamp <b>Small</b>	124 cm
Overcamp <b>Large</b>	142 cm
<b>Small + Small (2c)</b>	142 cm
<b>Small + Large (2c)</b>	160 cm
<b>Large + Large (2c)</b>	160 cm



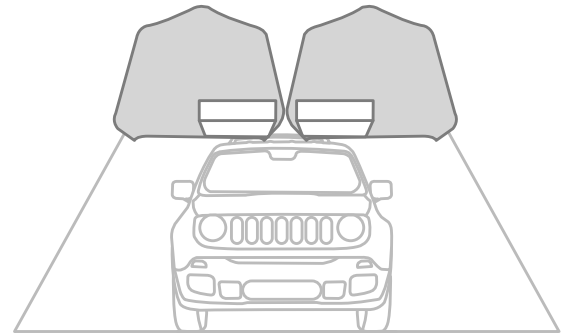
2



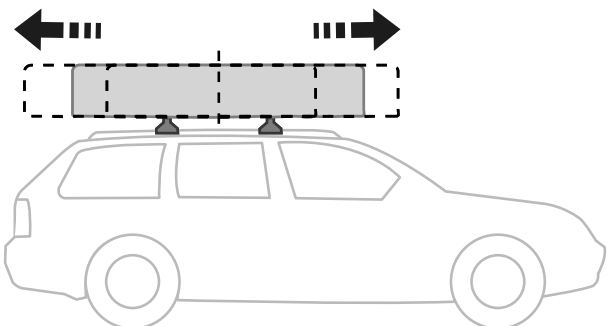
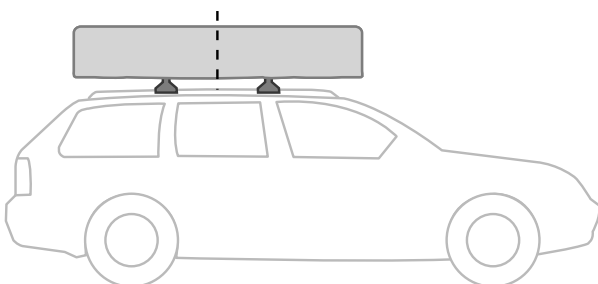
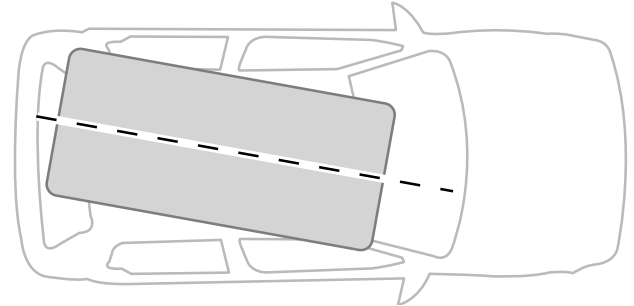
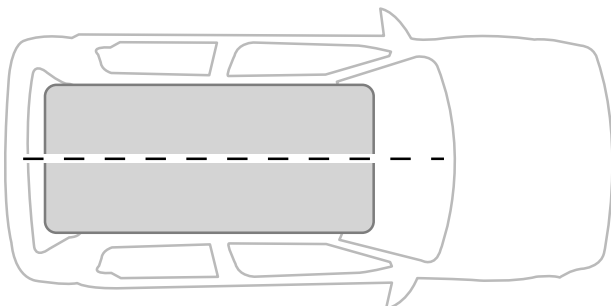
(2a)



(2b)



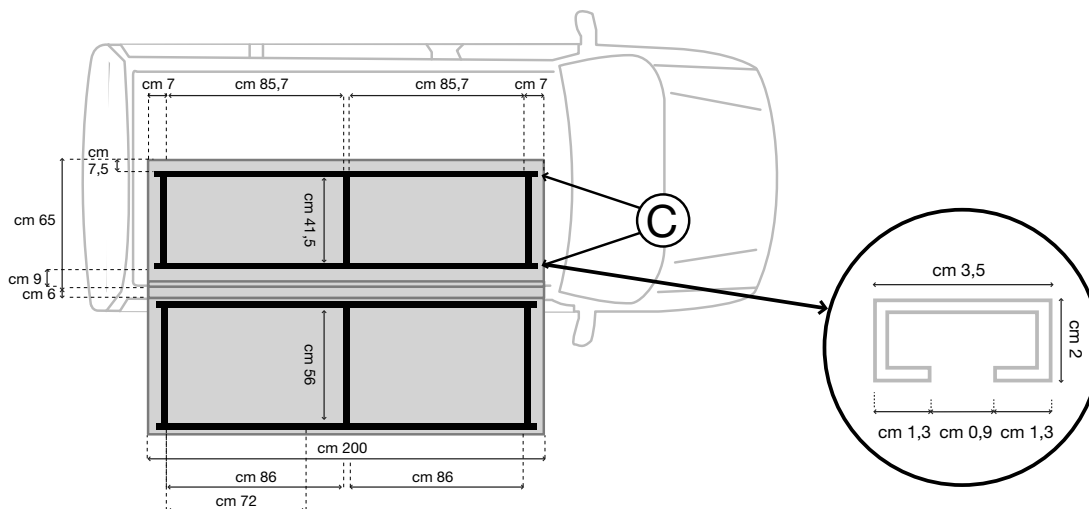
(2c)



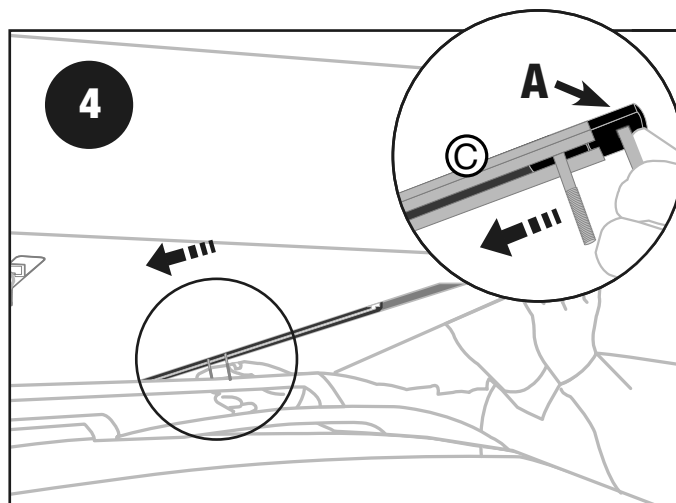
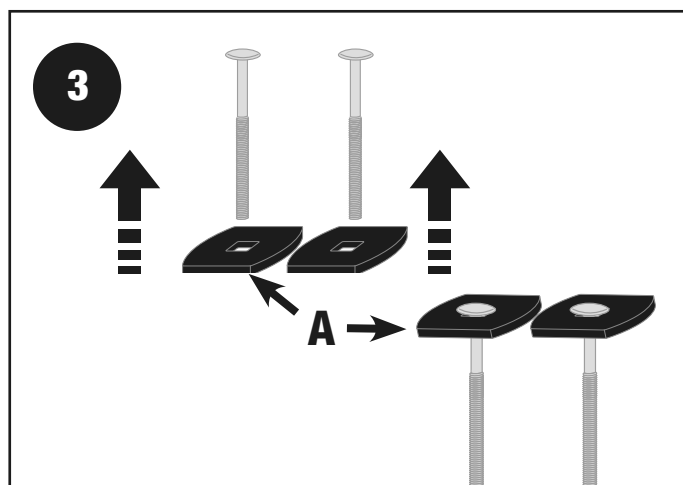
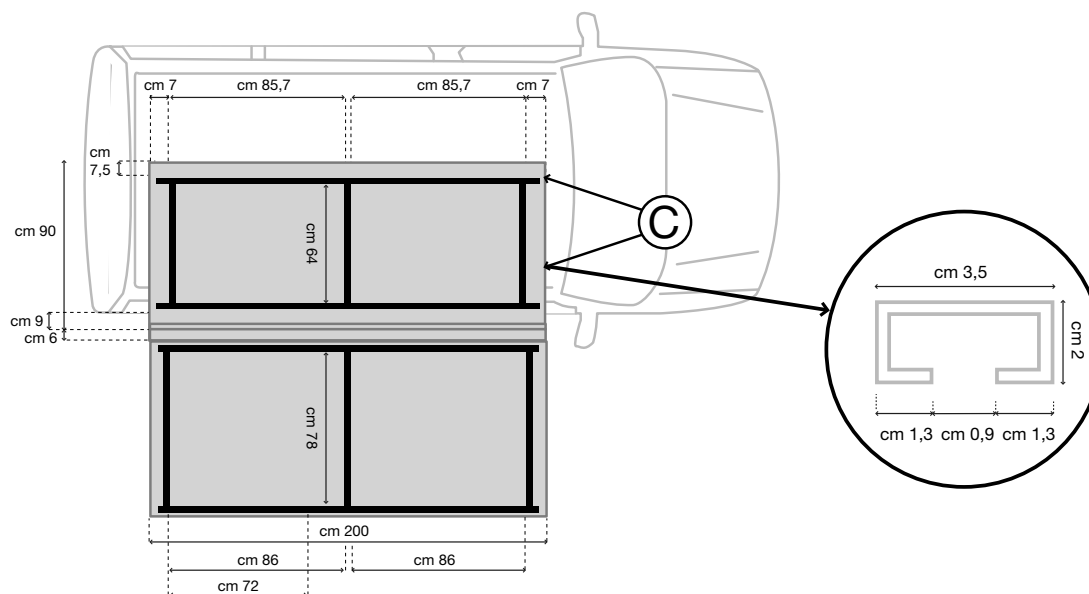
# FIXING

Fissaggio • Fixation • Befestigung

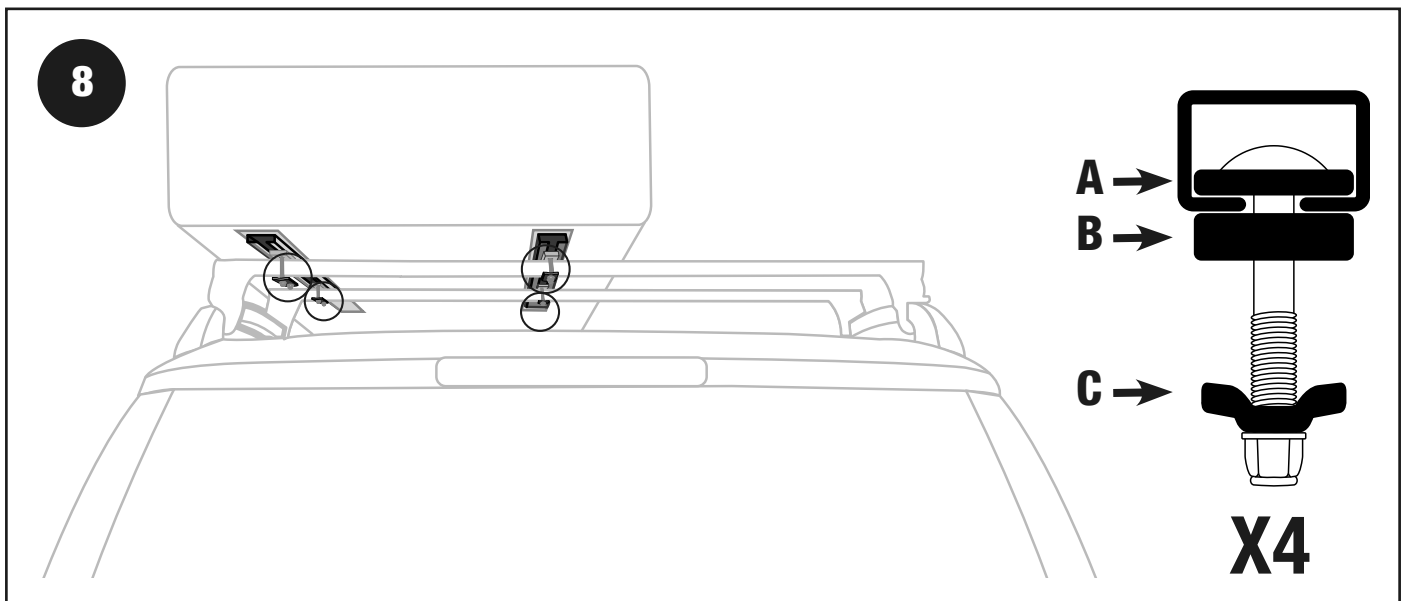
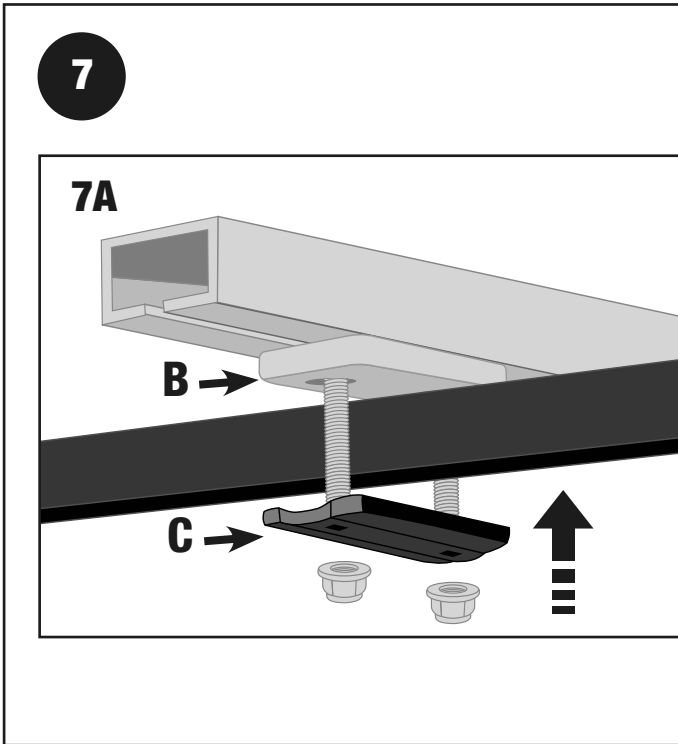
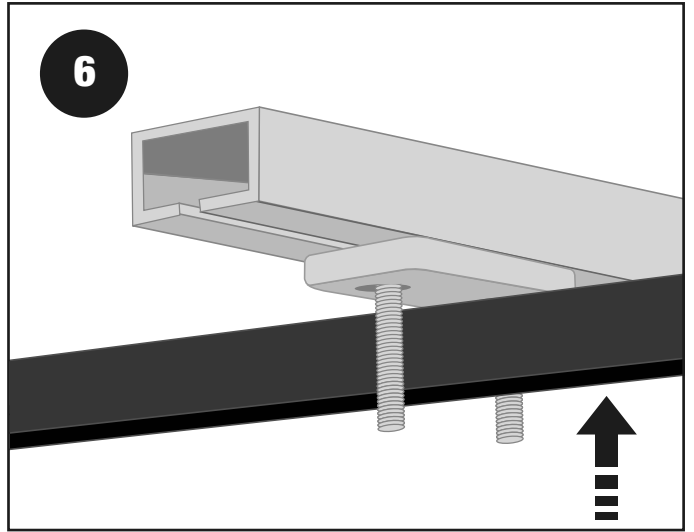
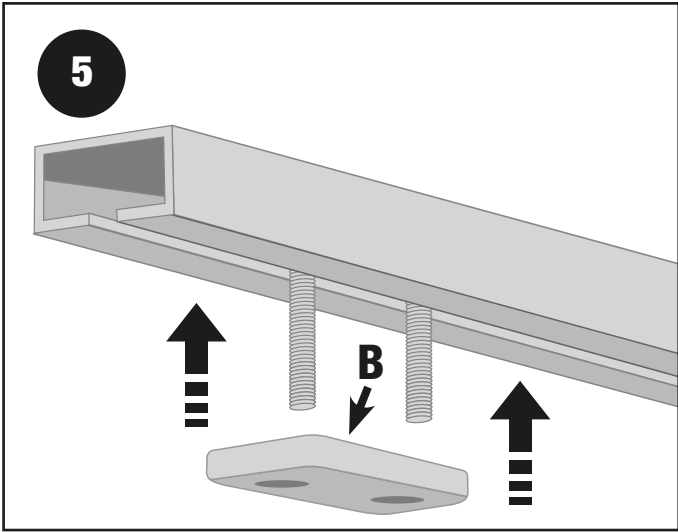
## STANDARD FIXING OVERCAMP SMALL



## STANDARD FIXING OVERCAMP LARGE



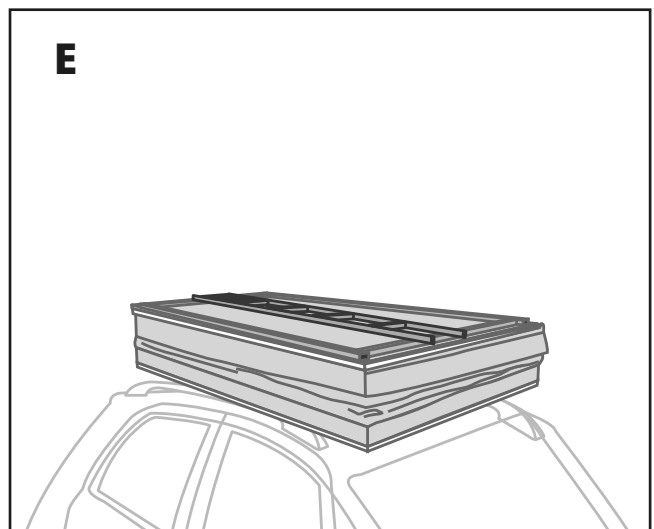
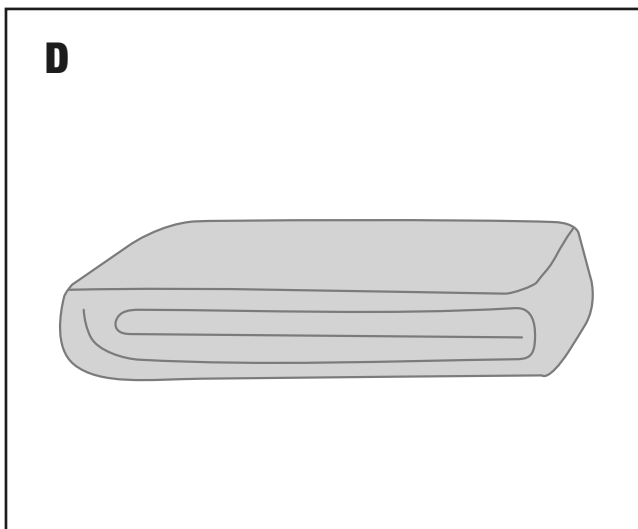
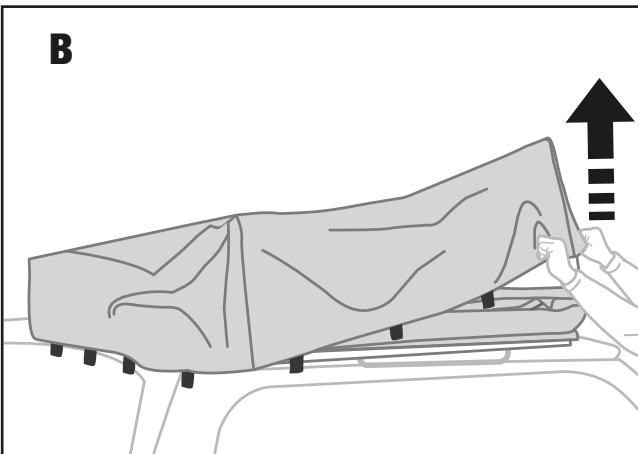
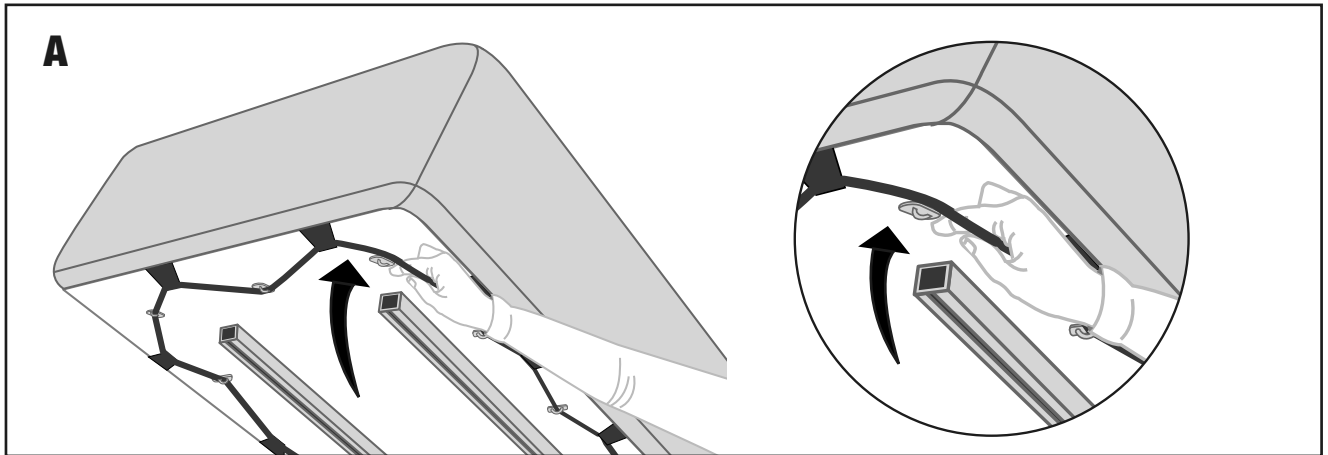


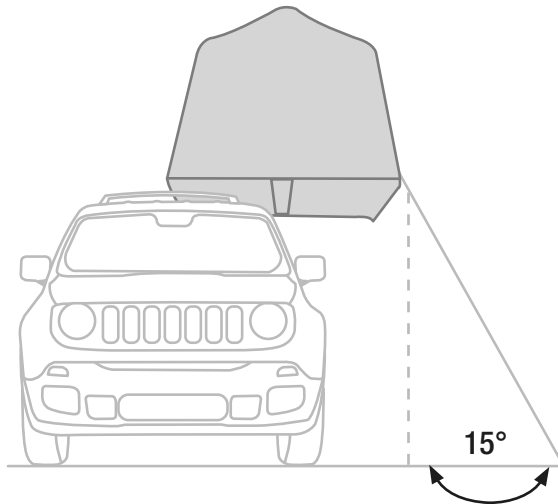
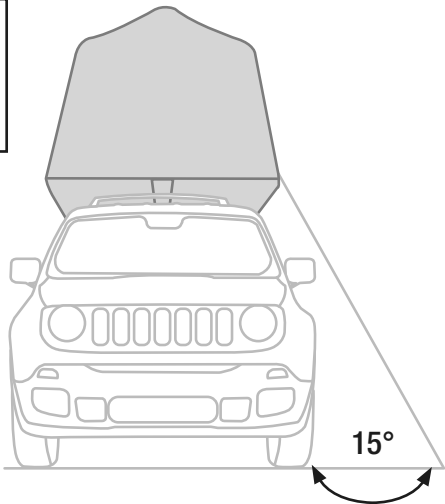
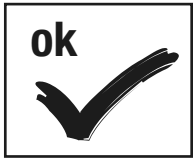
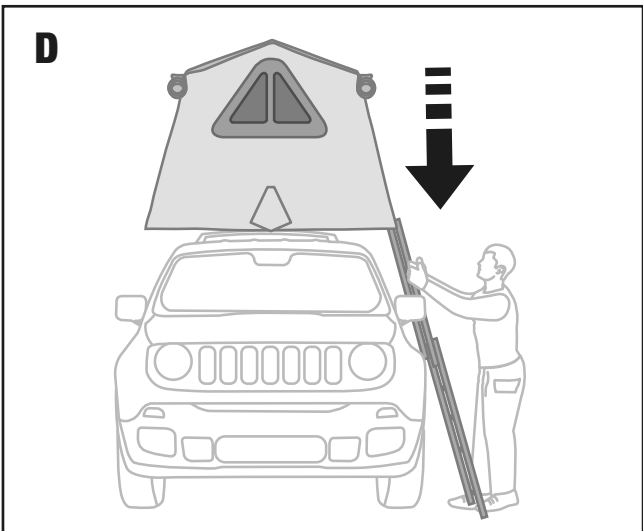
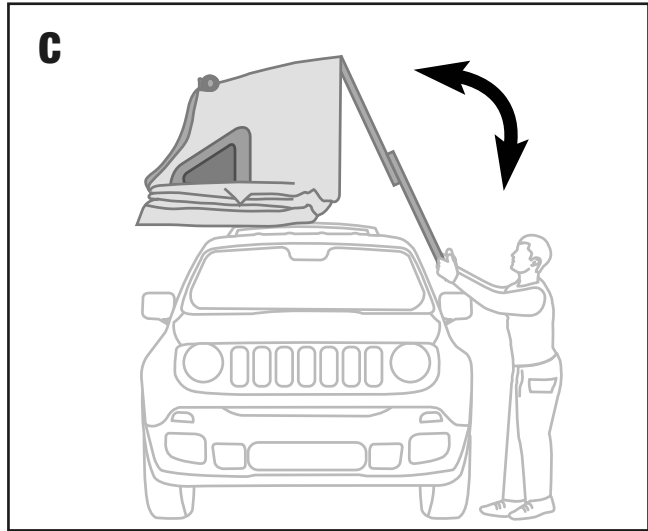
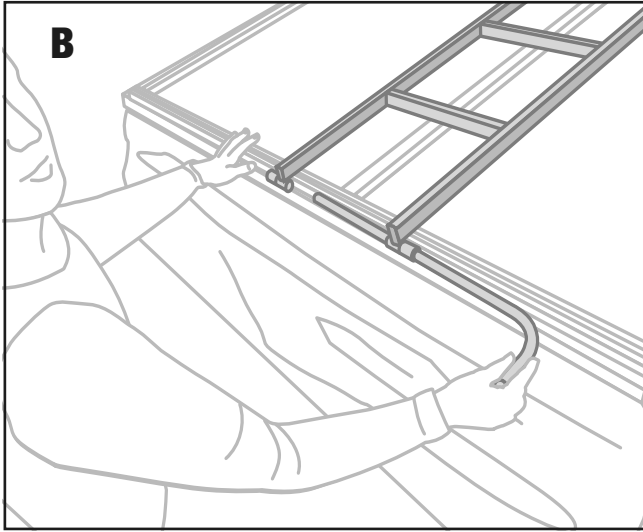
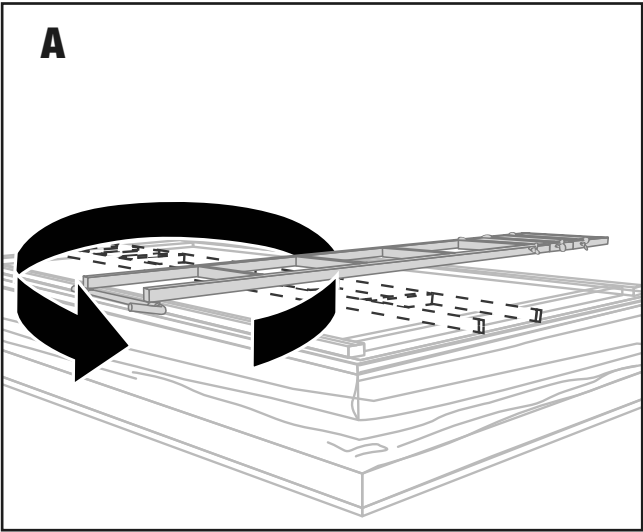


# OPENING

Apertura • Overture • Öffnung

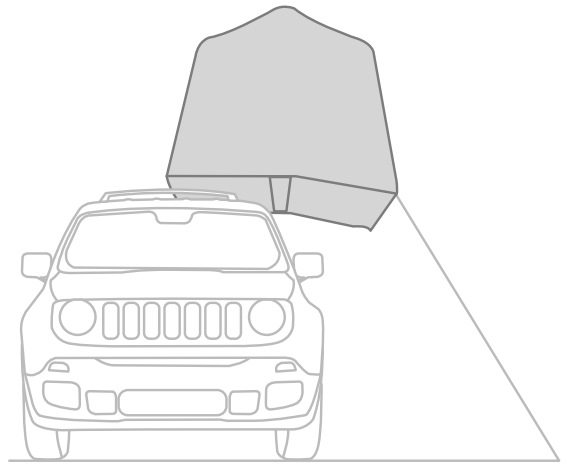
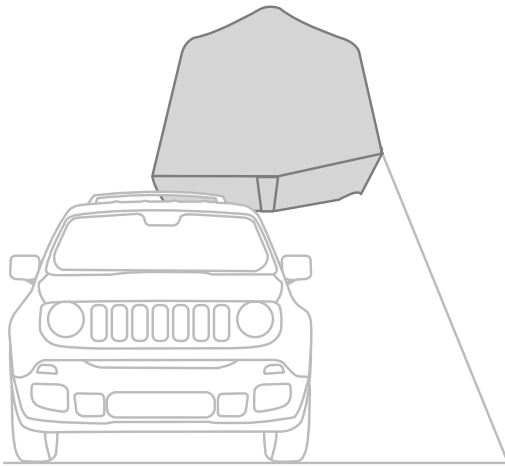
9



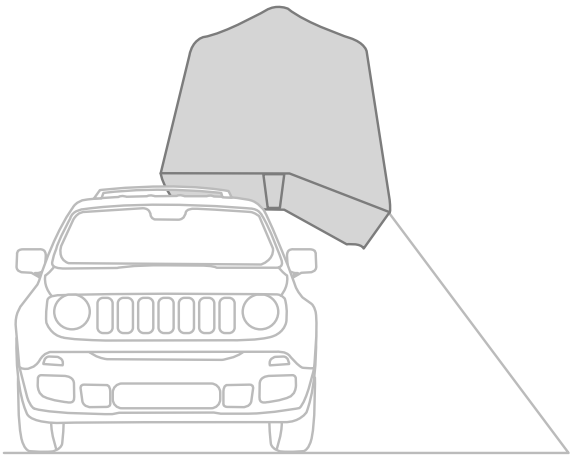
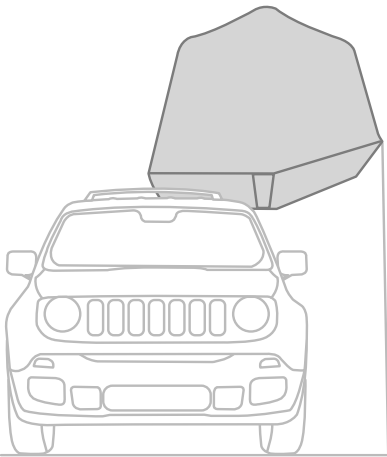


11

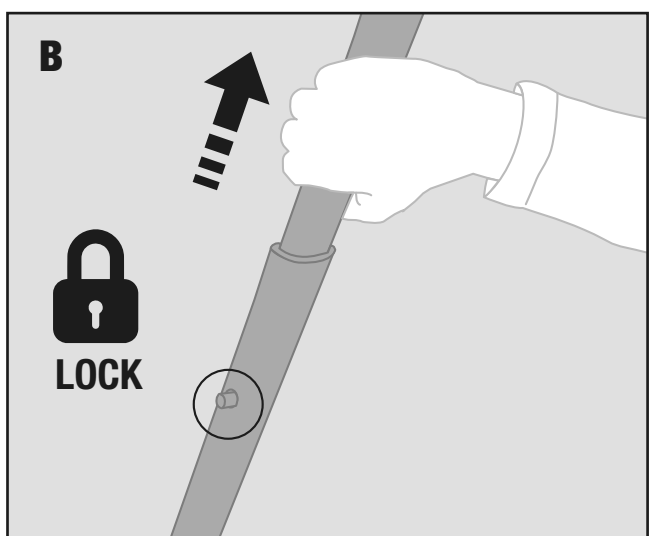
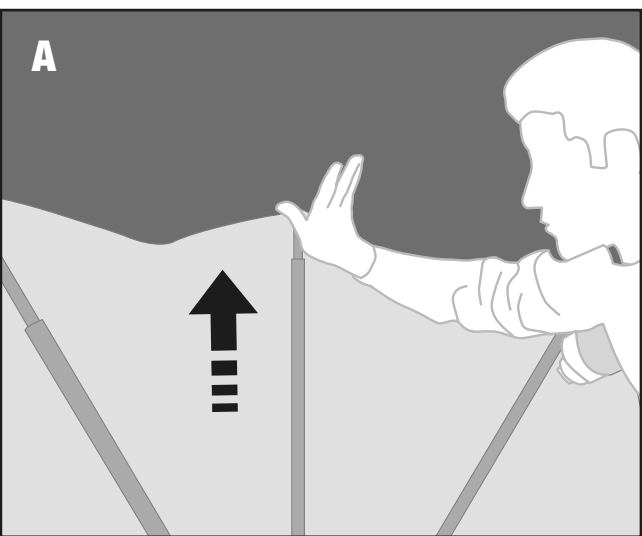
NOT ok  

NOT ok  

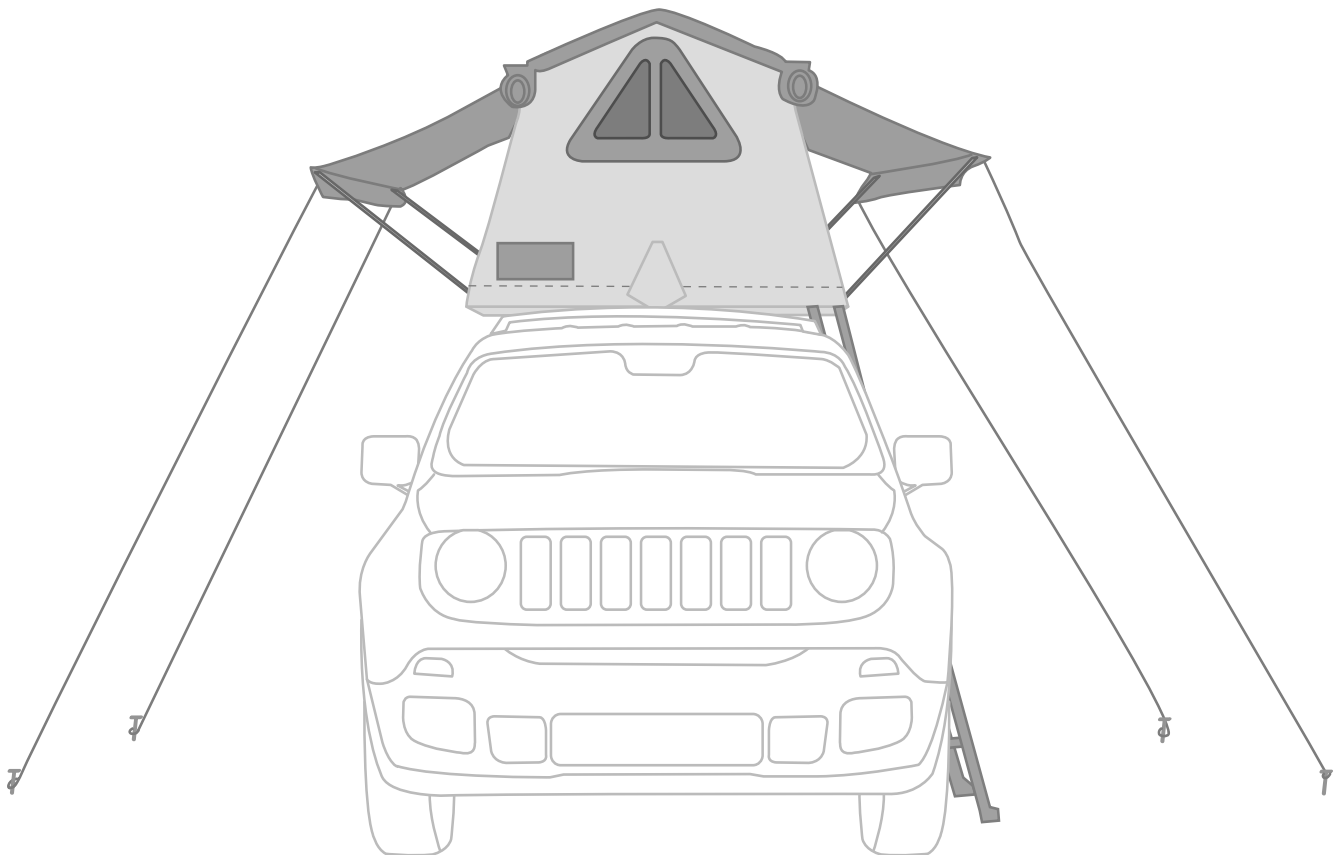
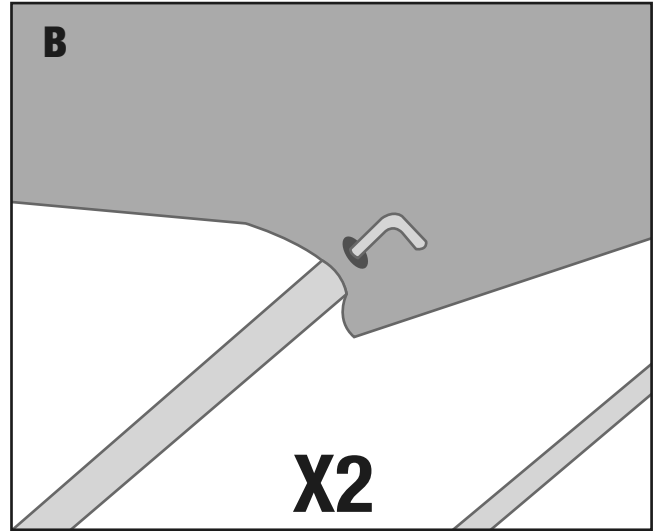
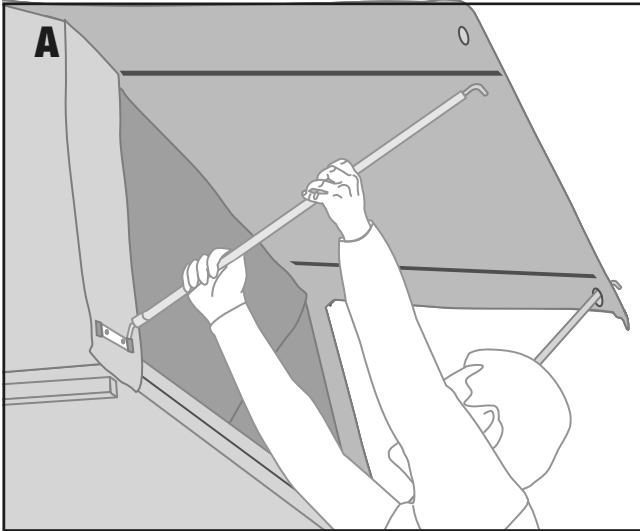



12



# AWNING INCLUDED

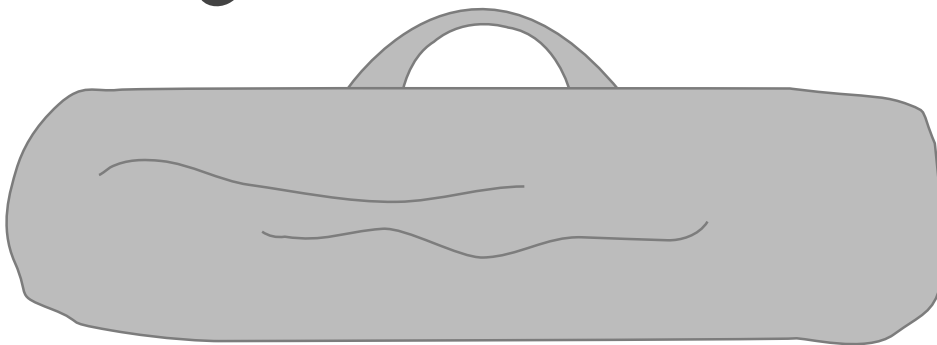
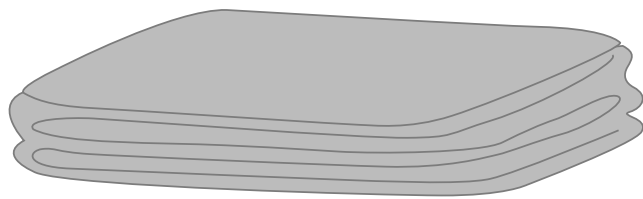
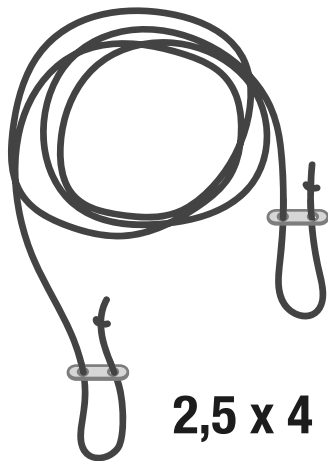
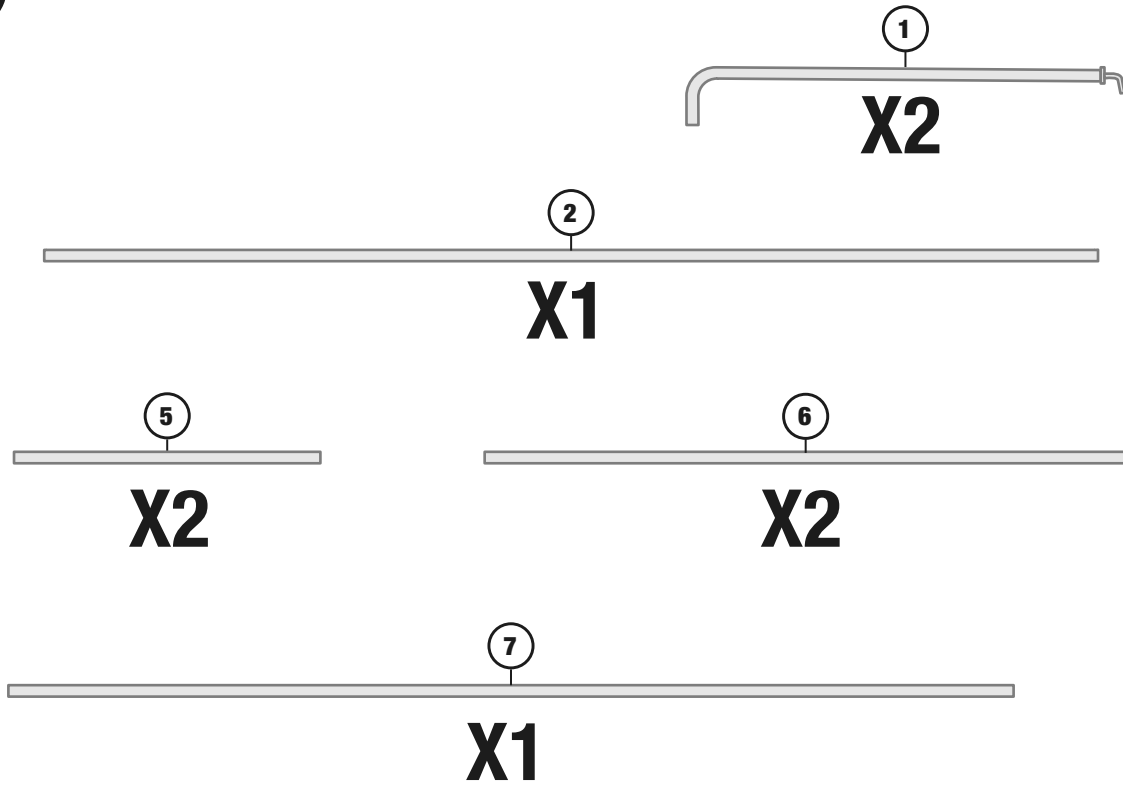
13



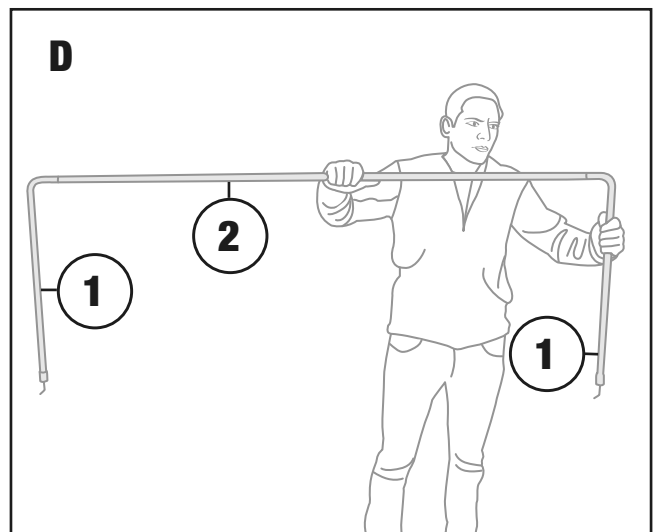
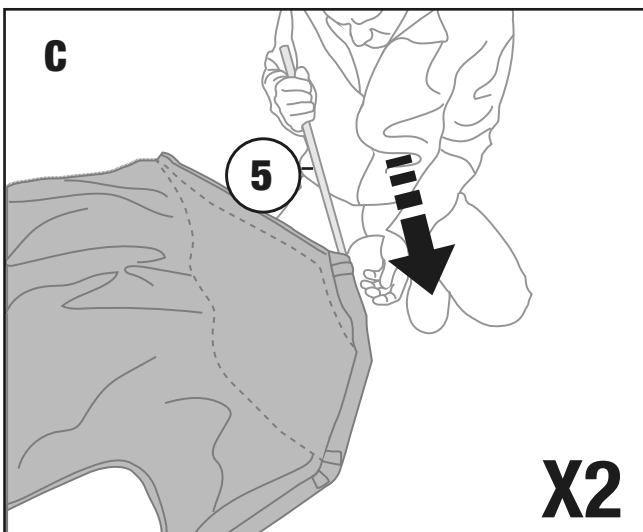
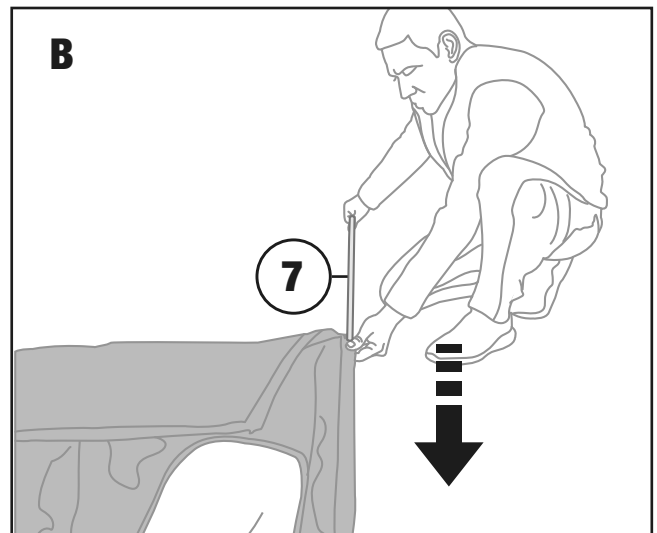
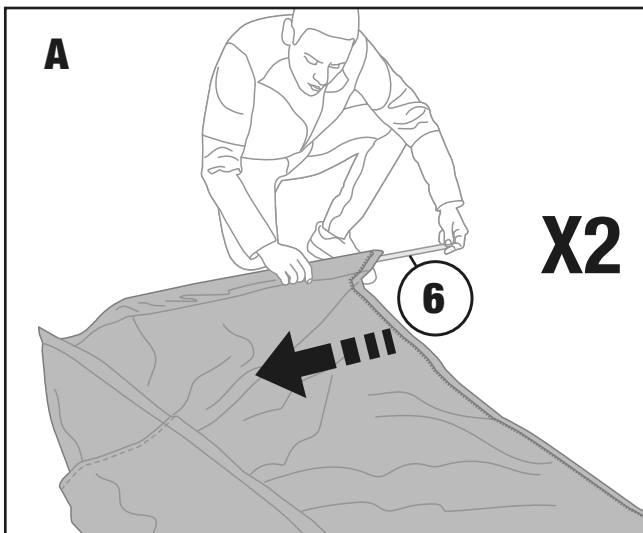
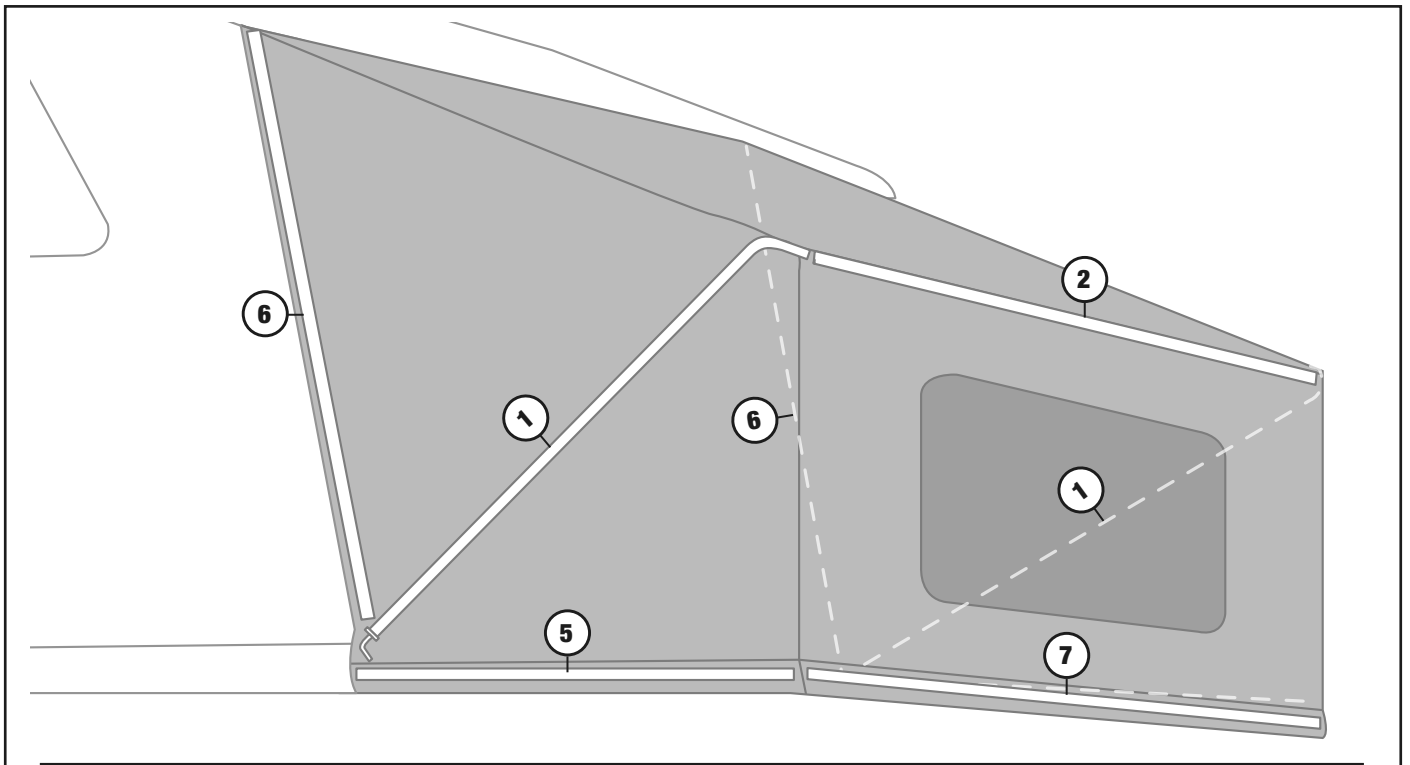
# WING MOUNTING

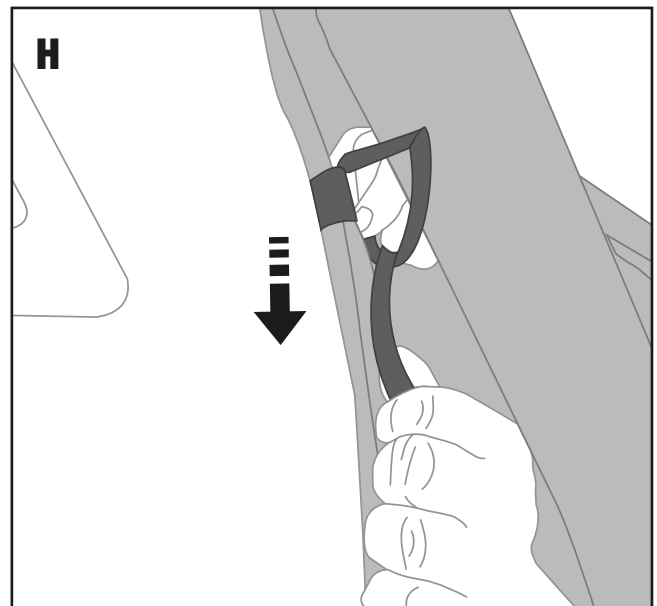
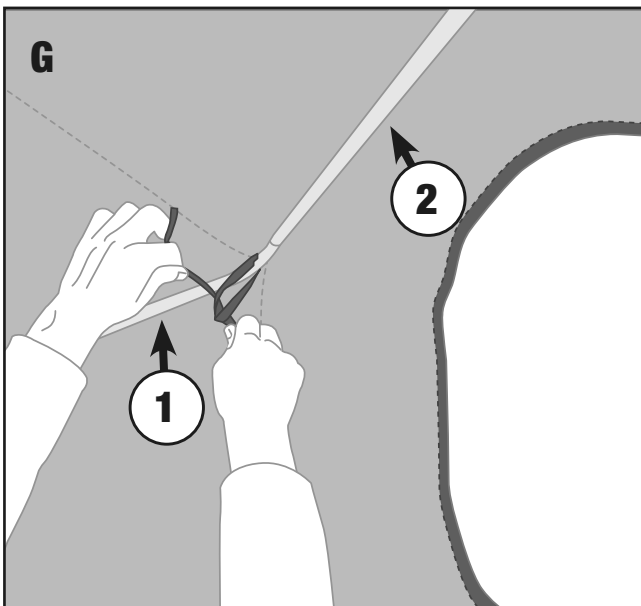
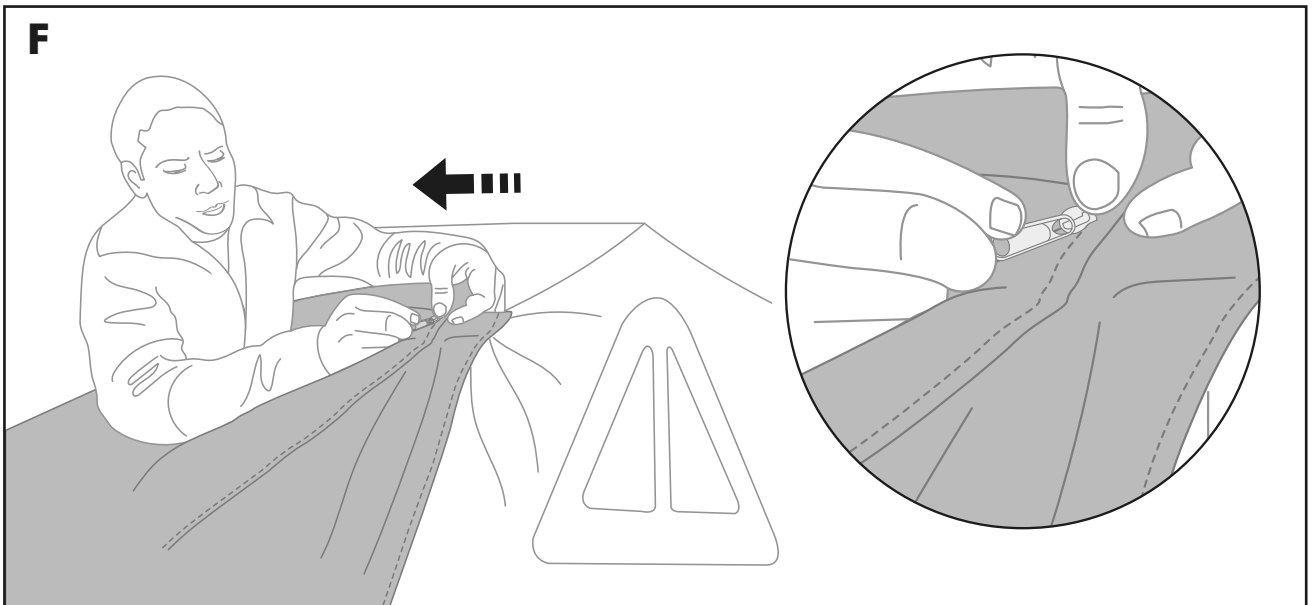
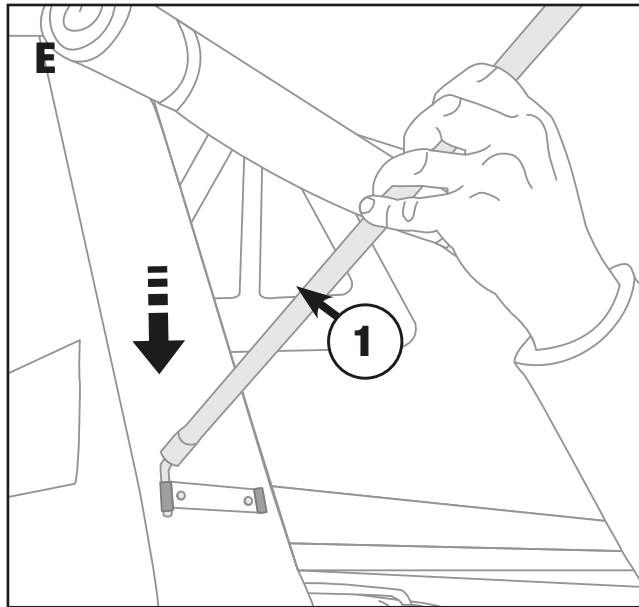
Montaggio wing • Montage des wings • Öffnung

14



INSTRUCTIONS







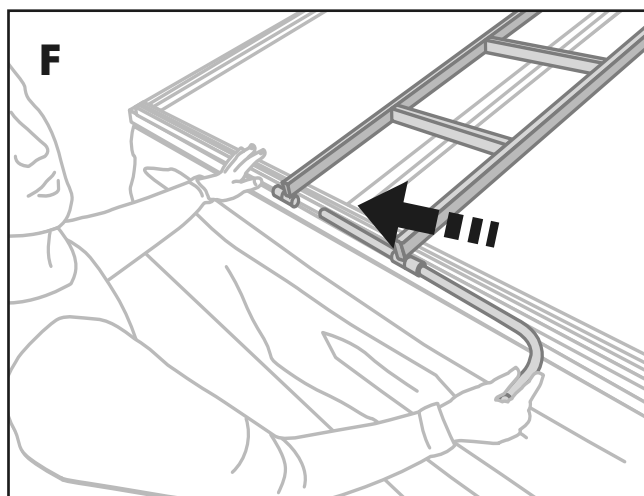
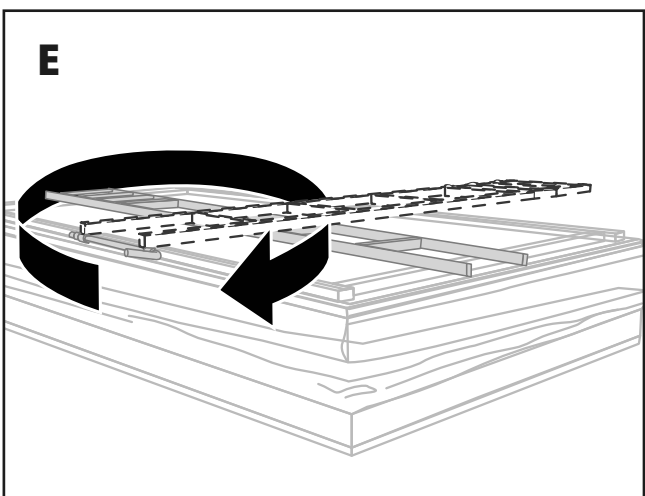
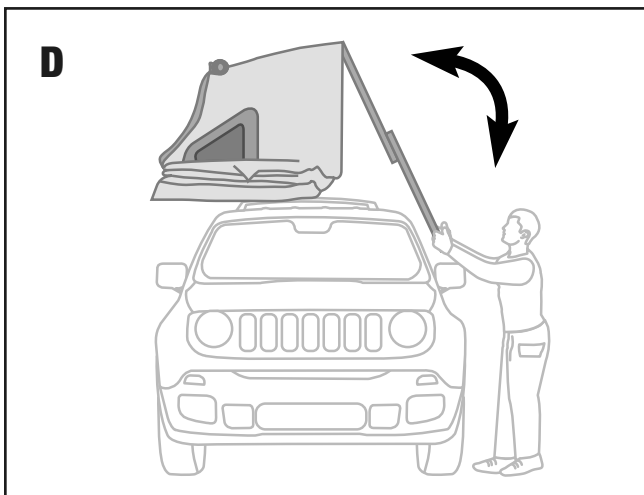
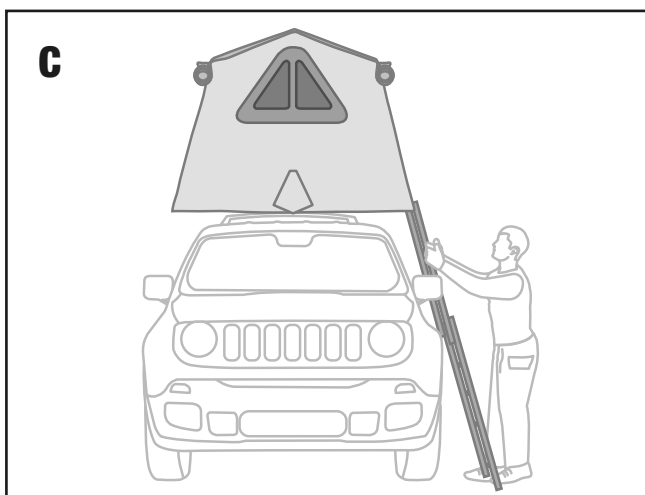
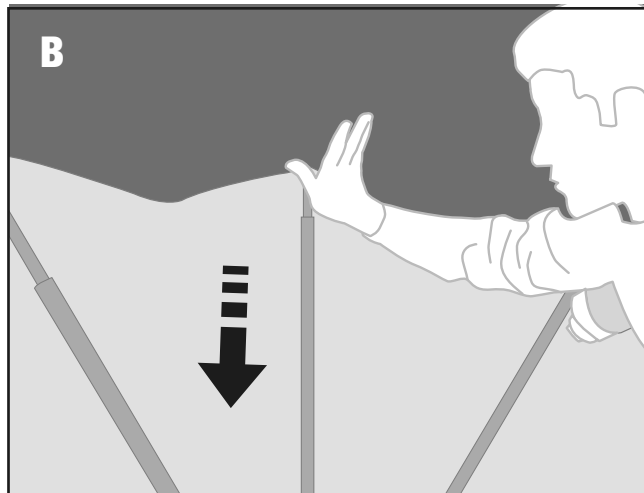
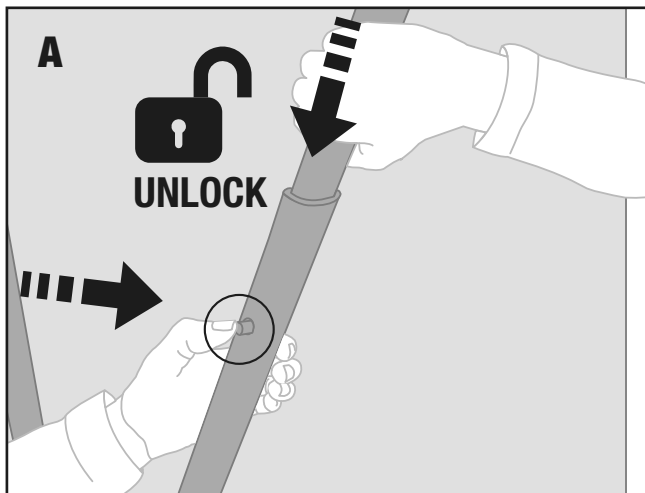
I



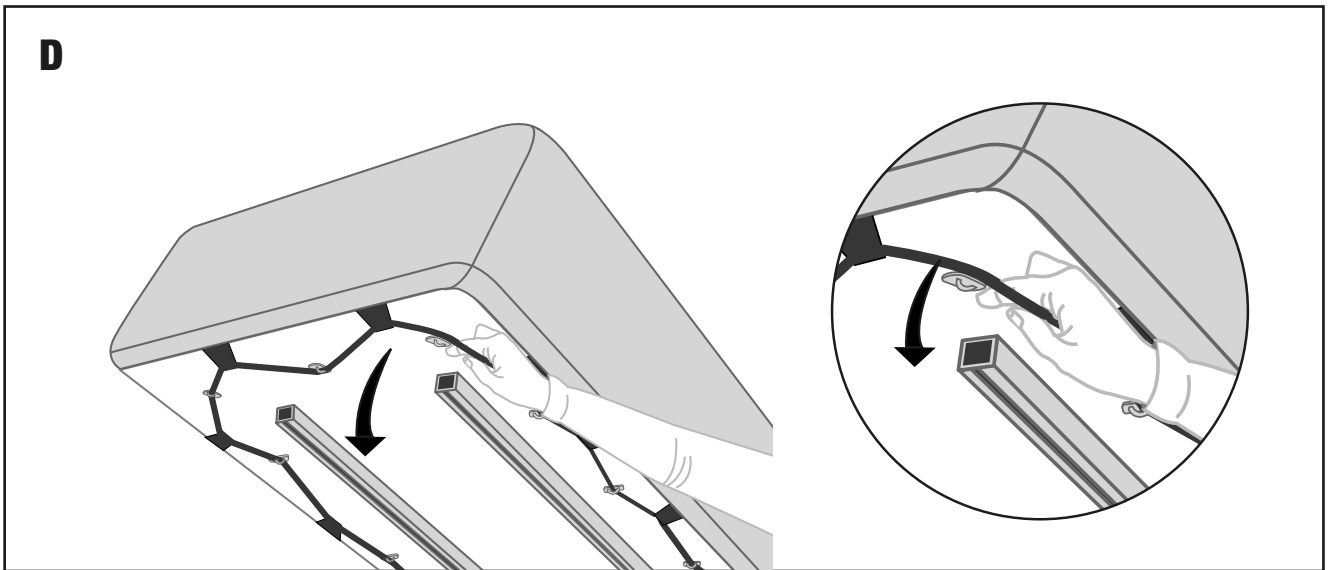
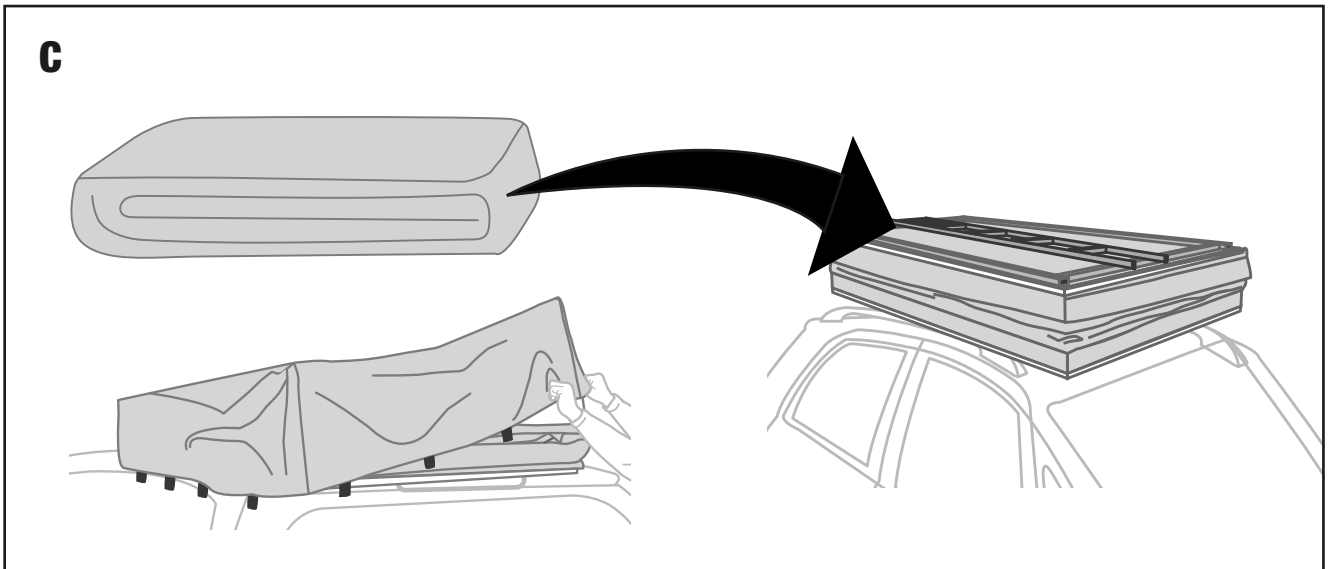
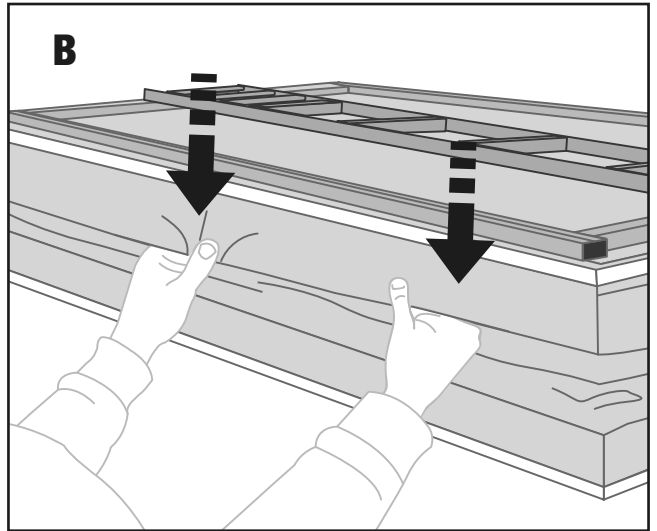
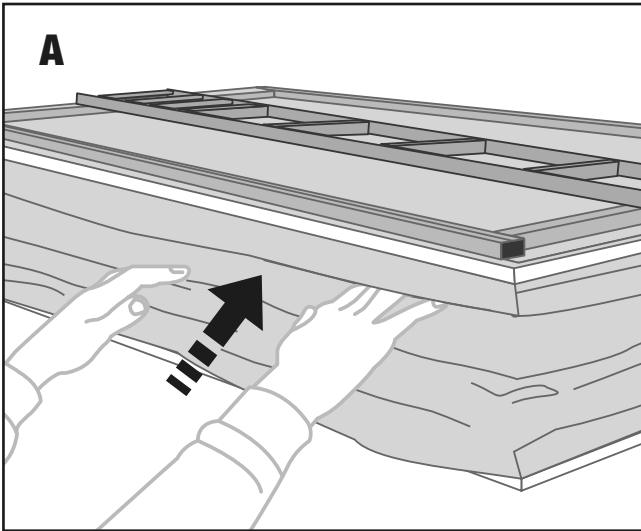
# CLOSING

Chiusura • Fermeture • Schließung

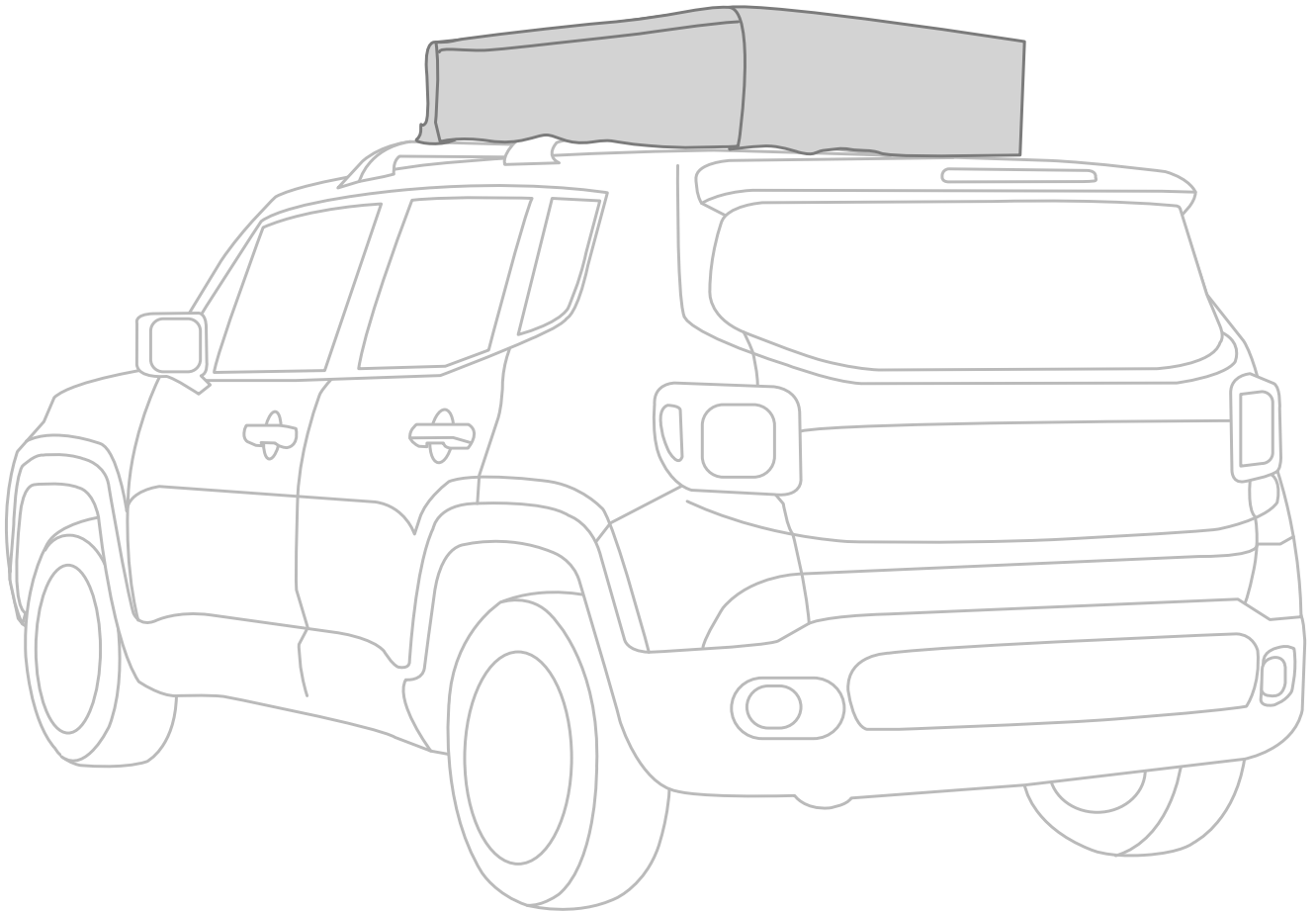
15



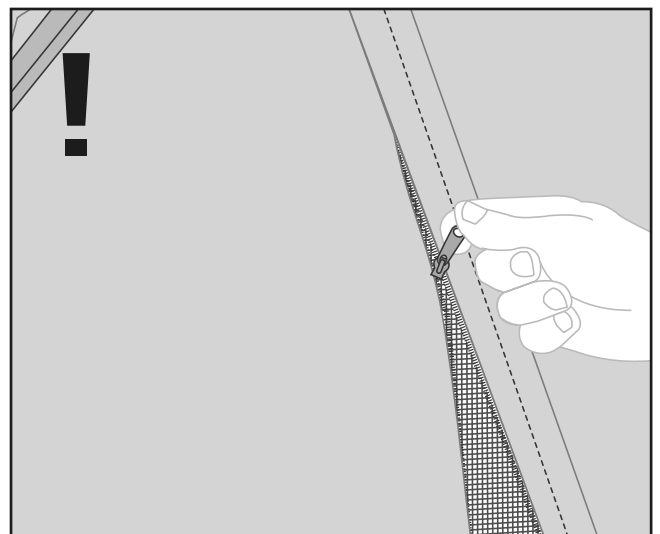
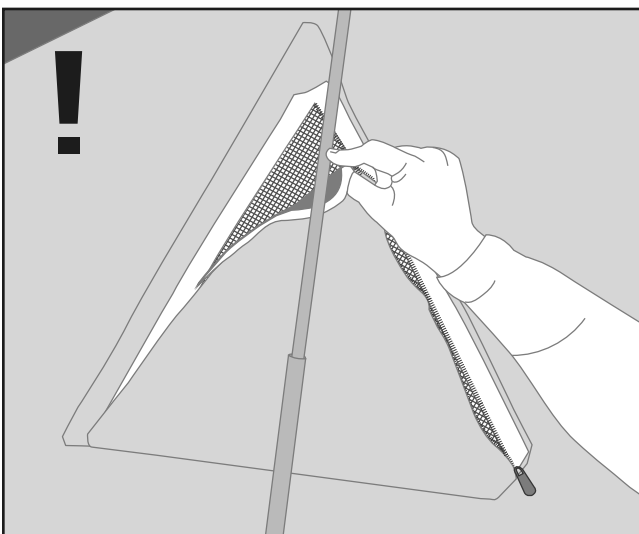
16

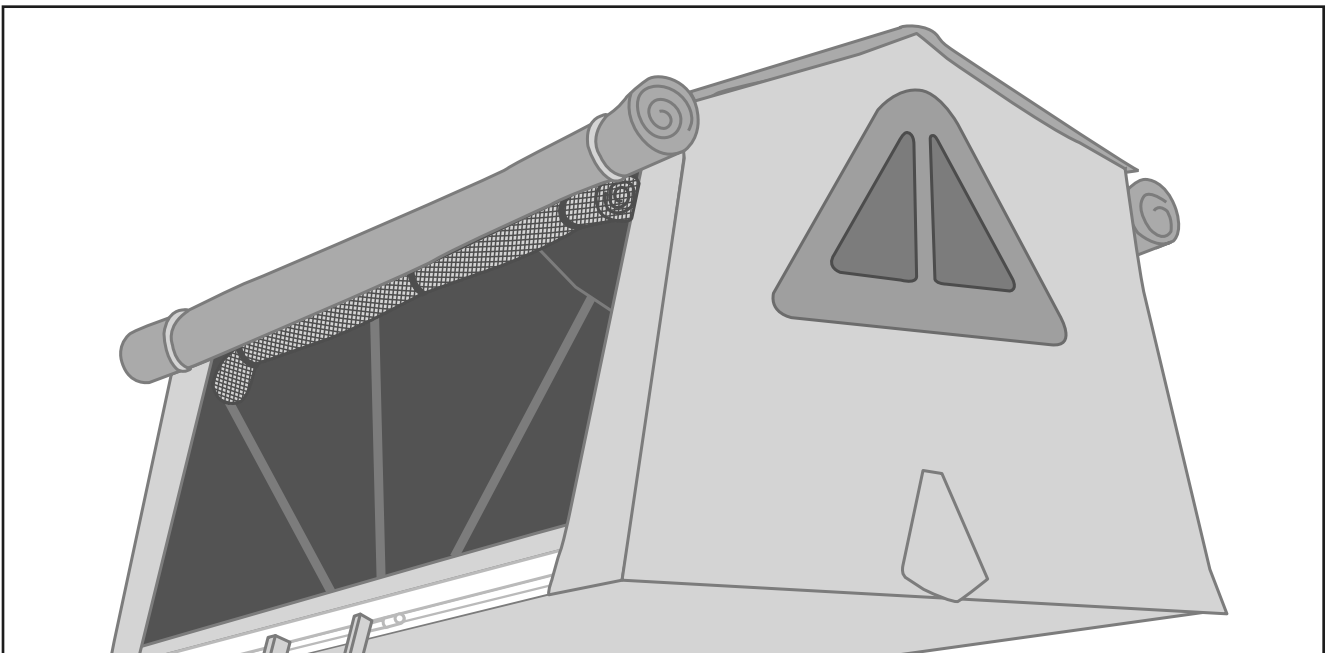
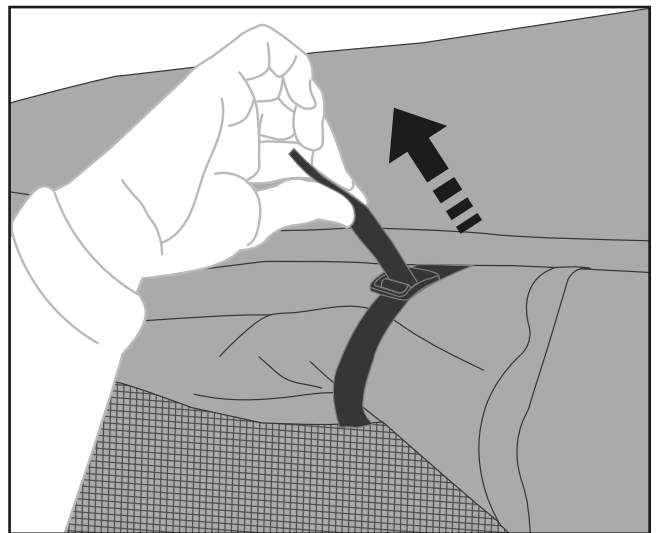
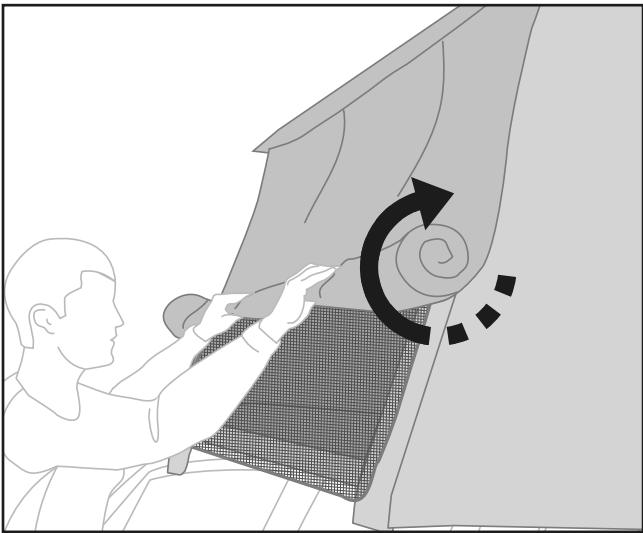
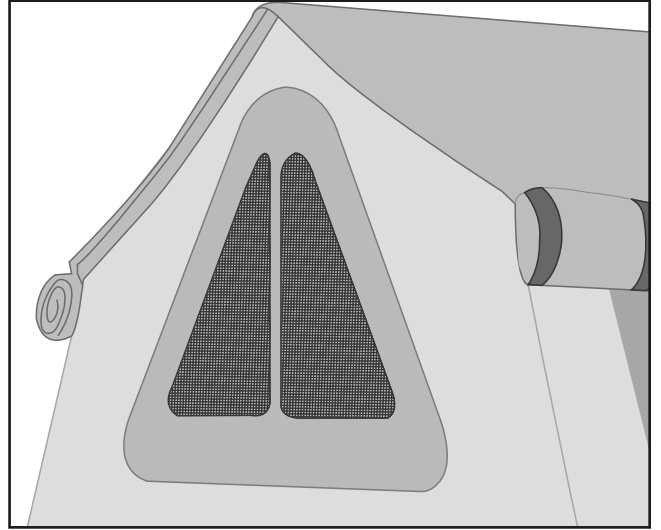
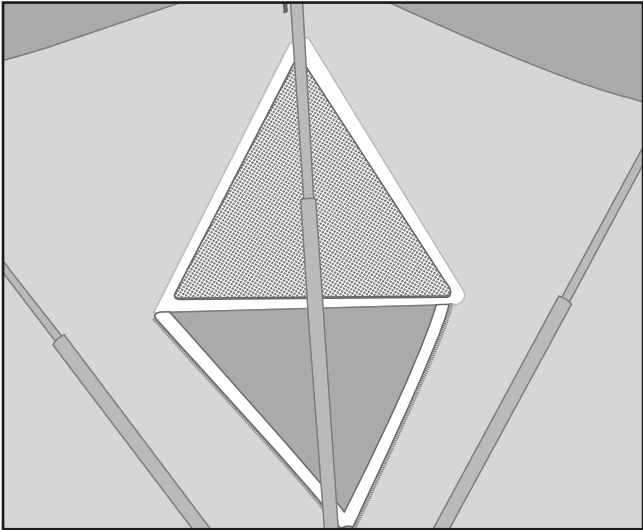


17



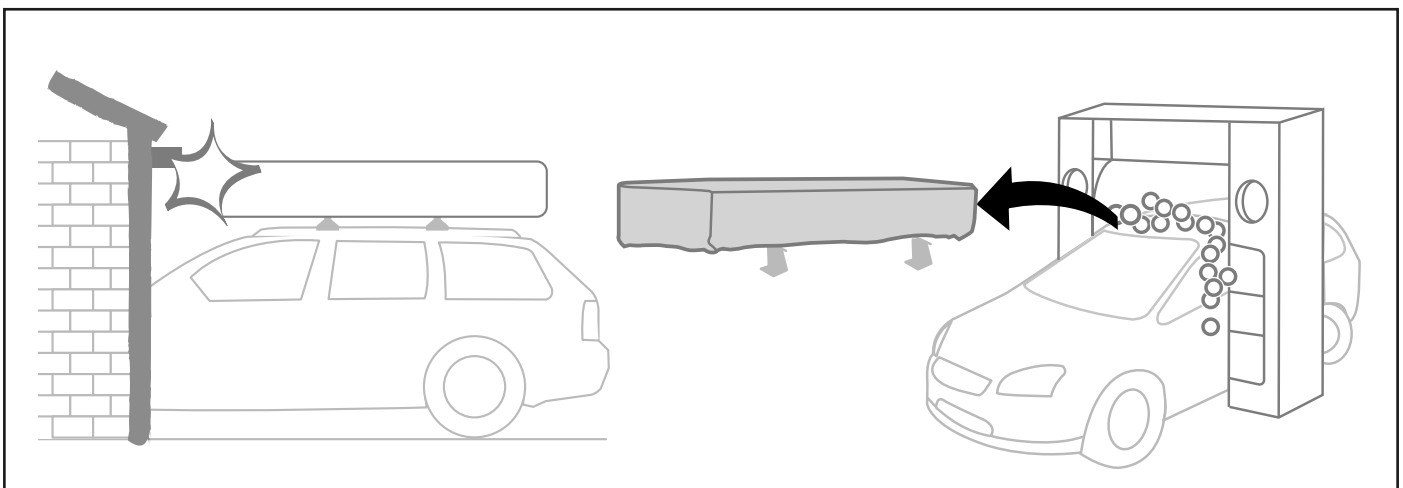
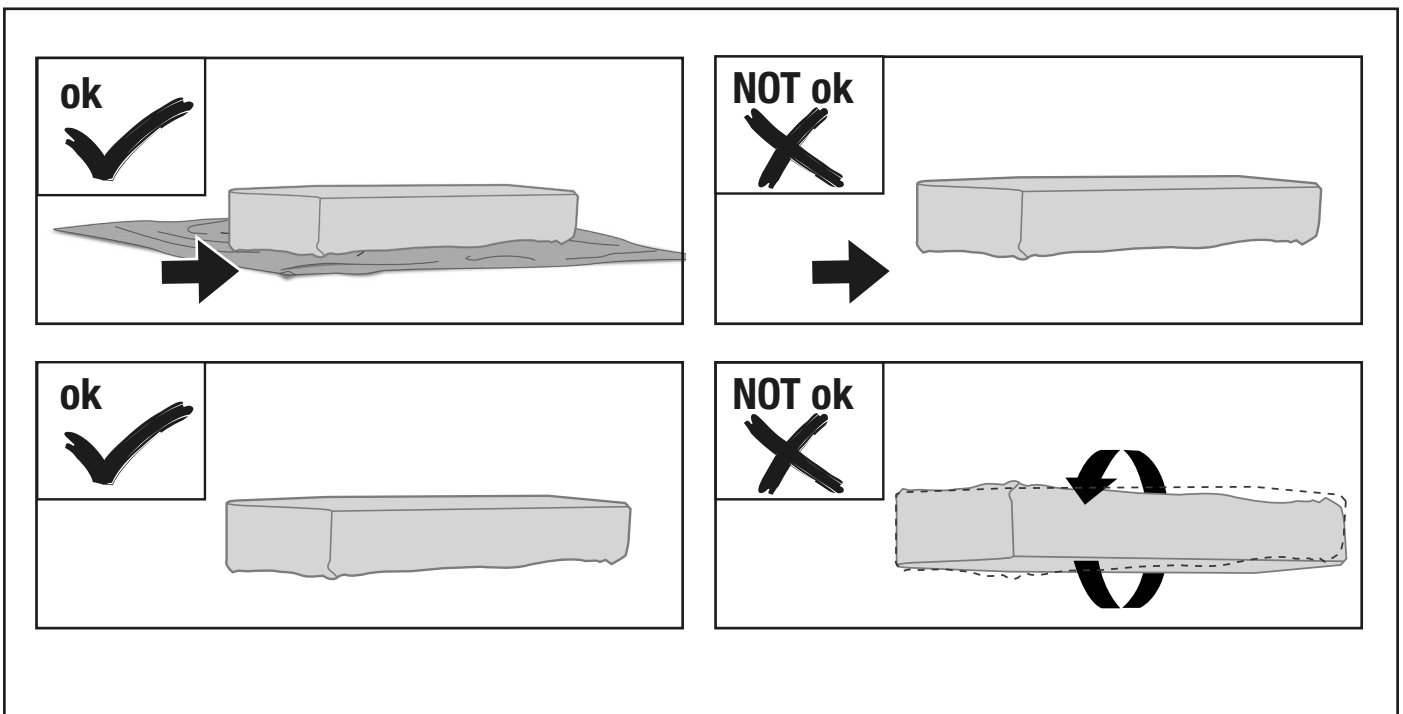
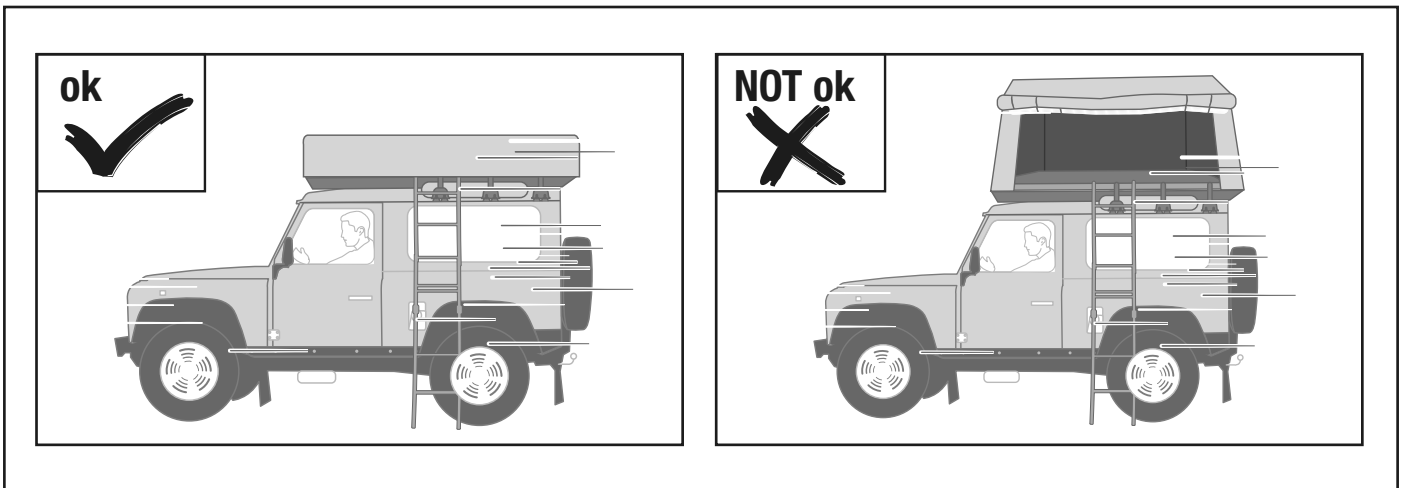
# HANDLE WITH CARE

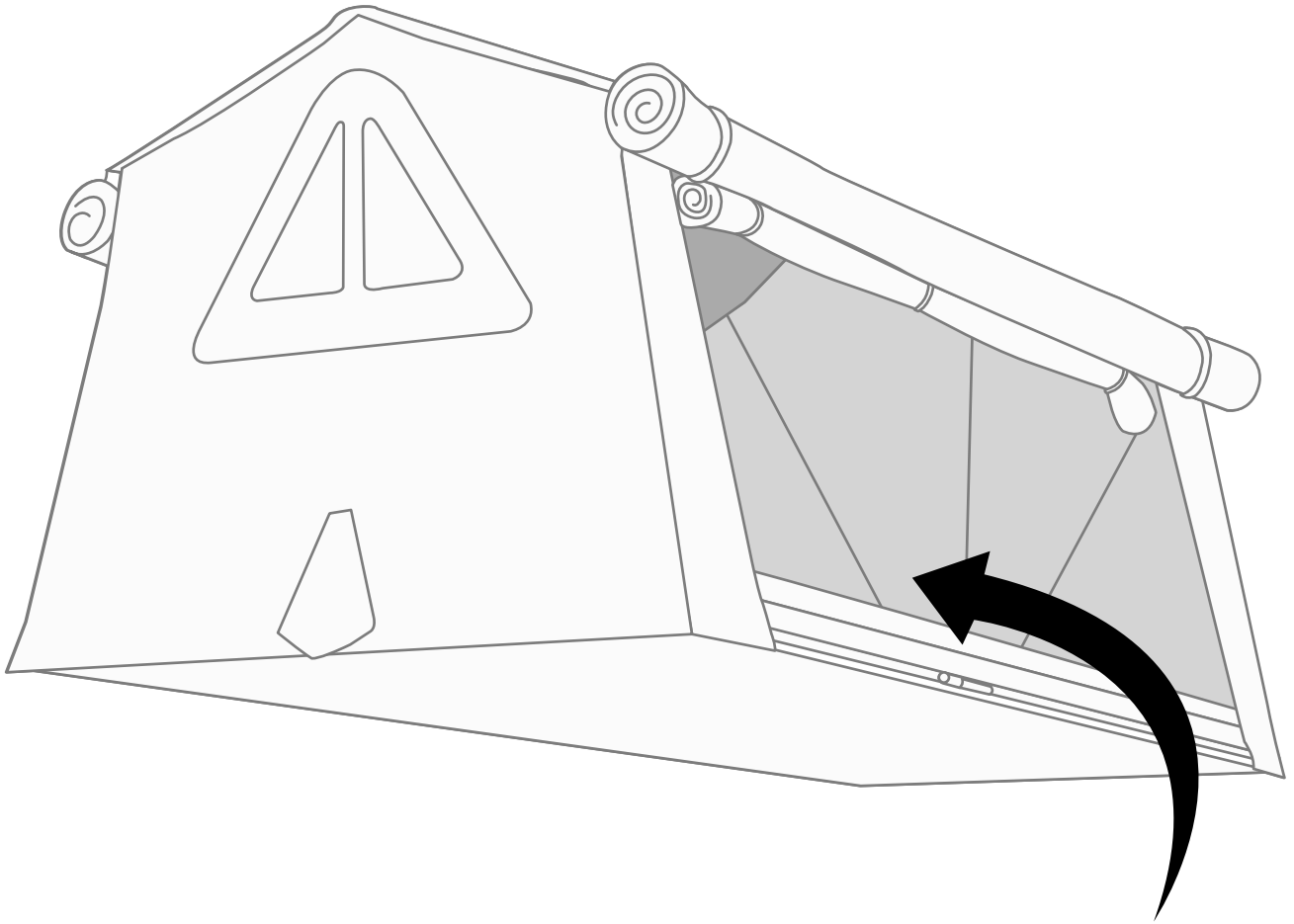




# WARNINGS

Avvertenze • Avertissement • Warnungen









**AUTOHOME**® produced by  
Zifer Italia Srl  
Viale Risorgimento, 23  
46017 Rivarolo Mantovano  
(Mantova) Italy  
Tel. +39 0376 99590  
+39 0376 958164  
Fax +39 0376 958088

**AUTOHOME-OFFICIAL.COM**  
info@autohome.it

 MADE IN ITALY

 Autohome Official-Page

 autohome\_official



PRODUCT QUALITY CERTIFICATION